

EMERGENCY BACKUP INSTALLATION GUIDE



JAYKAL

IMPORTANT SAFEGUARDS

When using electrical equipment, basic safety precautions should always be followed, including the following:

READ AND FOLLOW ALL SAFETY INSTRUCTIONS

1. To prevent high voltage from being present on the purple and blue output leads during installation, do not connect primary AC power to the Emergency Backup. All connections to the Emergency Backup should be complete before AC power is supplied.
2. While the primary AC input voltage of 100-277V or 100-135V is present, these voltages power the AC driver. When the primary AC supply voltage is removed, the output voltage of emergency backup is 170VDC, which is equivalent to 120VAC.
3. Emergency Run Time: Min 90 minutes. This product is designed for use with LED lighting fixtures. Do not use this product in any other application.
4. Make sure all connections are in accordance with the National Electrical Code or any local regulations.
5. To reduce the risk of electric shock, disconnect both normal and auxiliary power supplies and all connections of the Emergency Backup before servicing.
6. A constant AC power source (100-277VAC/120-250VAC) is required to provide battery charging current.
7. Do not install near gas or electric heaters.
8. This product is for use with indoor or damp locations where the ambient temperature range is (0°C to 50°C). It is not suitable for wet or hazardous locations.
9. This is a sealed unit. The integral battery is not replaceable. Replace the entire unit when necessary.
10. The use of accessory equipment not recommended by the manufacturer may cause an unsafe condition.
11. Servicing should be performed by qualified personnel.
12. Equipment should be mounted in locations and at heights where it will not be subjected to tampering by unauthorized personnel.
13. Do not use this equipment for any other purpose than its intended use.

Production Information

INPUT	MODEL	INPUT WATTAGE	OUTPUT WATTAGE
100-277VAC 50/60hz	JLS6810D-G25-ED	36W	20W

INSTALLING THE EMERGENCY EQUIPMENT

1. The Emergency Backup will be located between the AC power source and the AC driver as shown in the wiring diagram section of the instructions.
2. **NOTE:** The Emergency Backup may be installed in close proximity to the fixture or remotely located.
3. The maximum remote mounting distance is 250 ft. utilizing 16 AWG wire. Contact the factory for more information.
4. Primary AC power is fed to the Emergency Backup first via the black and blue leads.
5. The AC driver receives power from the Emergency Backup. The power output wires of the Emergency Backup are identified by the purple and blue leads.

STEP 1: DISCONNECT AC POWER FROM THE FIXTURE

1. Disconnect all power sources from lighting fixture and ensure they are locked out during installation or maintenance.
2. Disconnect power leads from the AC driver.
3. Select a suitable location for the Emergency Backup and orient the unit so that the output leads can connect to the input leads of the AC driver.
4. See Illustration 1, for typical installation and select appropriate mounting method.

STEP 2: WIRING THE EMERGENCY BACKUP

1. Use the wiring diagram found on page 4 as reference.
2. Connect the AC power source leads to the input of the Emergency Backup.
3. Connect the output leads of The LED Lamp Emergency Backup to the AC driver.
4. Wire the AC driver to the lamp in accordance with manufactures installation instructions.
5. Make sure all connections are in accordance with the National Electrical Code and any local regulations.

SAVE THESE INSTRUCTIONS



CAUTION: Before installing, make certain the power is shut off and Emergency Backup unit is disconnected.

NOTE: Make sure that the necessary branch circuit wiring is available.

An unswitched source of power is required. The unswitched and switched power source must be fed from the same branch circuit.

(P) 302-295-0015 | (E) sales@jaykal.net | (W) www.jaykal.net

Specifications are typical values and may change without notification

efficiency. illuminated.

EMERGENCY BACKUP INSTALLATION GUIDE

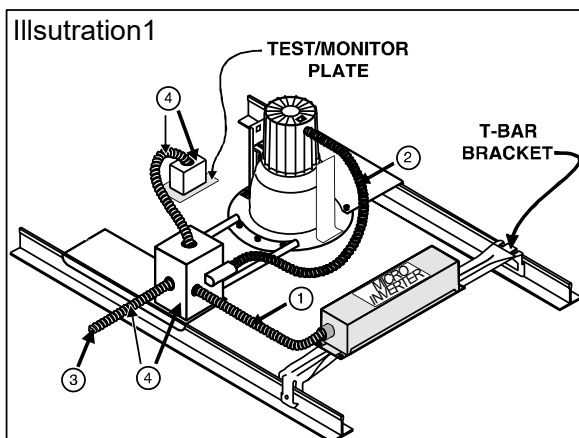


JAYKAL

6. Connect the charging indicator by matching red and gray leads.
7. In a readily visible location, attach the label "CAUTION - This Unit Has More than one power connection point. To reduce the risk of electric shock, disconnect both the branch circuit breakers or fuses and the LED Lamp Emergency Backup connector supply before servicing."

STEP 3: CONNECT THE AC POWER INPUT TO THE EMERGENCY BACKUP & APPLY POWER

1. After installation is complete, join the LED Lamp Emergency Backup connector and apply AC power.
2. At this point, power should be connected to both the AC driver and the LED Lamp Emergency Backup and the Charging Indicator Light should illuminate indicating the battery is charging.
3. A short-term discharge test may be conducted after the LED Lamp Emergency Backup has been charging for 1 hour, Charge for 24 hours before conducting a long-term discharge test. Refer to OPERATION.



The T-BAR mounting bracket assembly is sold separately and is available from the factory as an accessory kit (T-BAR-MB). call your local distributor or the factory for complete information.

- EMERGENCY EQUIPMENT
- No Shading -Equipment supplied by others

- 1 Flexible conduit (supplied) to connect AC driver wires.
- 2 Existing conduit to run existing wires to lamp holder.
- 3 AC Line-in.
- 4 Conduit and Junction Box (not supplied).

OPERATION

During normal operation, AC power is supplied to the AC driver through the LED Lamp Emergency Backup and charges the battery. The LED Lamp Emergency Backup detects AC the input line voltage 100-277AC/120-250VAC) and automatically sets the output voltage during emergency mode. During AC power failure, the LED Lamp Emergency Backup automatically switches to emergency mode, keeping the load illuminated for a minimum of 90 minutes. When the AC power is restored, The LED Lamp Emergency Backup returns to charging mode. The LED Lamp Emergency Backup consists of a low battery voltage disconnect which is reset when AC power is restored.

MAINTENANCE

Although no routine maintenance is required to keep The LED Lamp Emergency Backup functional, it should be checked periodically to ensure that it is working. The following schedule is recommended:

1. Visually inspect the charging indicator light monthly. It should be illuminated.
2. Test the emergency operation of the fixture at 30-day intervals for a minimum of 30 seconds. The lamp should operate at full illumination.
3. Conduct a 90-minute discharge test once a year. The lamp should operate at full illumination for at least 90 minutes.

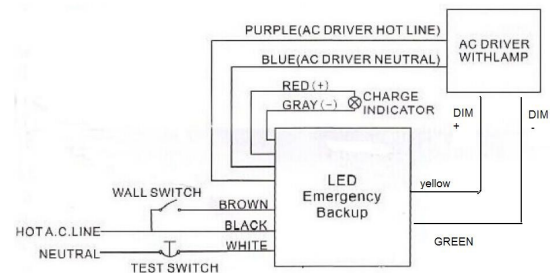
REPORT IF SERVICE IS INDICATED TO QUALIFIED PERSONNEL FOR REPAIR!

THE LED LAMP EMERGENCY BACKUP AND AC DRIVER MUST BE FED FROM THE SAME BRANCH CIRCUIT

TYPICAL SCHEMATICS ONLY. CONSULT THE FACTORY FOR OTHER WIRING DIAGRAMS.

WIRING DIAGRAM

Wiring Diagram



Note: Make sure the necessary branch circuit wiring is available. An unswitched source of power is required. The unswitched and switched power sources must be fed from the same branch circuit.