



LED BULD MR16

JAYKAL

PROJECT NAME:

JAYKAL LED SOLUTIONS, INC.

www.jaykal.net

PROJECT NOTES:

21499 Baltimore Ave.

Georgetown, DE 19947

(P) 302-295-0015

(F) 302-295-0016

DESCRIPTION:

LED bulb is a kind of solid-state semiconductor device that can convert electric energy into visible light, which can directly convert electricity into light. It has the characteristics of high efficiency and long service life.

FEATURES & BENEFITS:

- ◆ Up to 80% less energy than halogen alternatives
- ◆ Exceeds all in industry performance requirements
- ◆ Designed for 15,000 hours
- ◆ Very low heat generation - excel for sensitive display lighting
- ◆ Excellent Color consistency and high color rendering (CRI)
- ◆ Warranty: 5 Years



5 YEAR STANDARD WARRANTY—EXTENDED WARRANTIES AVAILABLE

(P) 302-295-0015 | (E) sales@jaykal.net | (W) www.jaykal.net

Specifications are typical values and may change without notification

efficiency. illuminated.



LED BULD MR16

JAYKAL

ELSR SPECIFICATION TABLE

Watt	4.5W	Certifications	UL/ ROHS
Input Voltage	120VAC	Environment	Indoor
Beam Angle	120°	Operating Temperature	-20°C — 40°C
Warranty	5 years	Housing Material	Plastic and Aluminum
Efficacy	>70 Lm/W	CCT	2700K/3000K/3500K/4000K/5000K
Luminous Flux	315 Lm	Life (L70)	15,000+ hours
CRI	>80	Dimensions(Lx H x W)	Φ60mm*106.8 mm

ELSR SPECIFICATION TABLE

Watt	7W	Certifications	UL/ ROHS
Input Voltage	120VAC	Environment	Indoor
Beam Angle	120°	Operating Temperature	-20°C — 40°C
Warranty	5 years	Housing Material	Plastic and Aluminum
Efficacy	>78 Lm/W	CCT	2700K/3000K/3500K/4000K/5000K
Luminous Flux	550 Lm	Life (L70)	15,000+ hours
CRI	>80	Dimensions(Lx H x W)	Φ60mm*106.8 mm

(P) 302-295-0015 | (E) sales@jaykal.net | (W) www.jaykal.net

Specifications are typical values and may change without notification

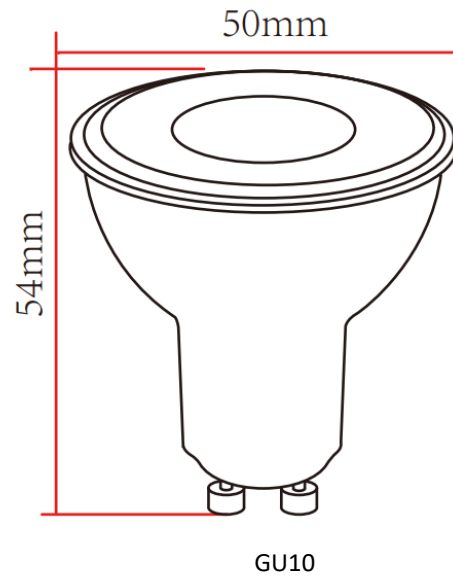
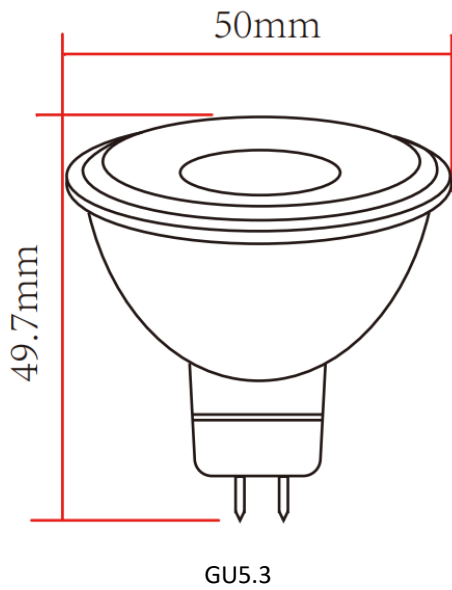
efficiency. illuminated.

LED BULD MR16



JAYKAL

DIMENSIONS



ORDERING INFORMATION

FAMILY MODEL NUMBER	Type	WATT	CCT	Base Cap
JLS	MR16	4.5 = 4.5W 7 = 7W	827K = 2700K 830K = 3000K 835K = 3500K 840K = 4000K 850K = 5000K	GU5.3 = GU5.3 Base GU10 = GU10 Base

(P) 302-295-0015 | (E) sales@jaykal.net | (W) www.jaykal.net

Specifications are typical values and may change without notification

efficiency. illuminated.