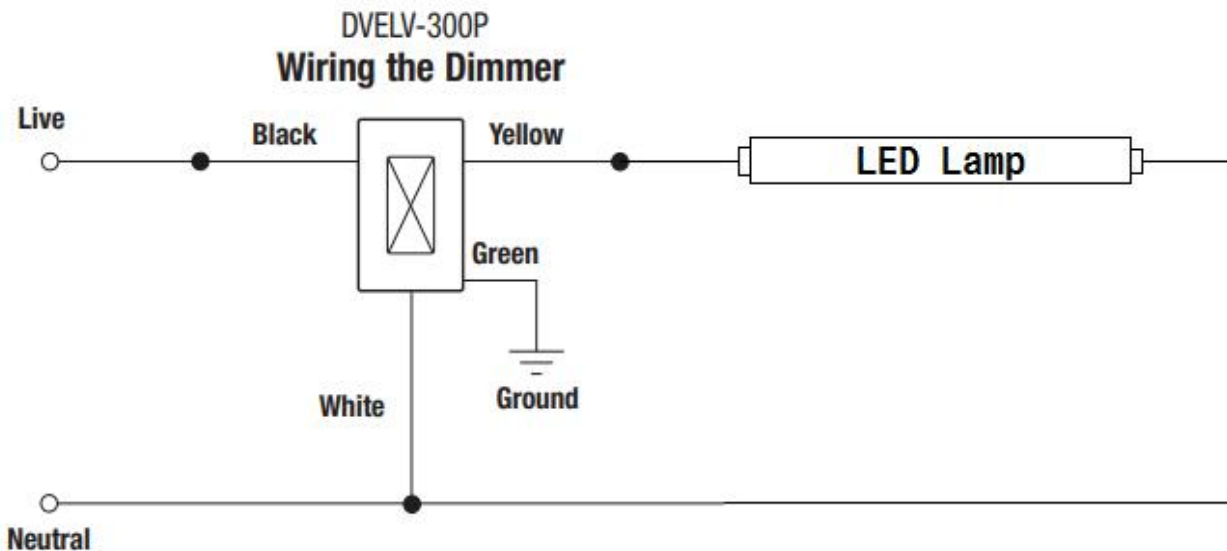


Installation Instructions

Product Name: **TYPE B T8 Tube Series**

Model Number	Lamp Base	Physical Lamp Characteristics				Mounting Orientation	Environment
		Shape	Length	Dia.	Mass		
JLS-2-840K-6W-DWD-S-Z	G13	Linear	2 ft.	T8	<500g	Any	Dry or Damp
JLS-4-840K-9W-DWD-S-Z	G13	Linear	4 ft.	T8	<500g	Any	Dry or Damp
JLS-4-840K-10.5W-DWD-S-Z	G13	Linear	4ft	T8	<500g	Any	Dry or Damp

Where "Z" stands for commercial use and can be blank or any combination of letters



TYPE B T8 Tube series Version A

Illustration 2 – Instruction

Instructions General

ADDED WEIGHT OF THE DEVICE MAY CAUSE INSTABILITY OF A FREE STANDING PORTABLE LUMINAIRE
USE ONLY WITH A PORTABLE TABLE LAMP THAT IS PROVIDED WITH A SHADE
USE IN PORTABLE TABLE LAMPS IN WHICH THE DISTANCE FROM THE BOTTOM OF THE BASE TO
THE TOP OF THE LAMPHOLDER DOES NOT EXCEED THREE (3) TIMES THE MINIMUM BASE DIAMETER
THIS DEVICE IS NOT INTENDED FOR USE WITH EMERGENCY EXITS

Warning:

2FT:USE ONLY FIXED LUMINAIRE WITH MIN. LAMP COMPARTMENT DIMENSIONS 600mm(L) x 600mm(W) x 40mm(H)

4FT:USE ONLY FIXED LUMINAIRE WITH MIN. LAMP COMPARTMENT DIMENSIONS 1200mm(L) x 600mm(W) x 40mm(H)

WARNING – RISK OF FIRE OR ELECTRIC SHOCK. INSTALLATION OF THIS RETROFIT KIT REQUIRES A PERSON FAMILIAR WITH THE CONSTRUCTION AND OPERATION OF THE LUMINAIRE'S ELECTRICAL SYSTEM AND THE HAZARD INVOLVED. IF NOT QUALIFIED, DO NOT ATTEMPT INSTALLATION. CONTACT A QUALIFIED ELECTRICIAN.

WARNING – RISK OF FIRE OR ELECTRIC SHOCK. INSTALL THIS KIT ONLY IN THE LUMINAIRE THAT HAS THE CONSTRUCTION FEATURES AND DIMENSIONS SHOWN IN THE PHOTOGRAPHS AND/OR DRAWINGS AND WHERE THE INPUT RATING OF THE RETROFIT KIT DOES NOT EXCEED THE INPUT RATING OF THE LUMINAIRE.

DO NOT MAKE OR ALTER ANY OPEN HOLES IN AN ENCLOSURE OF WIRING OR ELECTRICAL COMPONENTS DURING KIT INSTALLATION.

WARNING – TO PREVENT WIRING DAMAGE OR ABRASION, DO NOT EXPOSE WIRING TO EDGES OF SHEET METAL OR OTHER SHARP OBJECTS.

THIS RETROFIT KIT IS ACCEPTED AS A COMPONENT OF A LUMINAIRE WHERE THE SUITABILITY OF THE COMBINATION SHALL BE DETERMINED BY AUTHORITIES HAVING JURISDICTION.", "PRODUCT MUST BE INSTALLED BY A QUALIFIED ELECTRICIAN IN ACCORDANCE WITH THE APPLICABLE AND APPROPRIATE ELECTRICAL CODES. THE INSTALLATION GUIDE DOES NOT SUPERSEDE LOCAL OR NATIONAL REGULATIONS FOR ELECTRICAL INSTALLATIONS.

WARNING: TO AVOID POTENTIAL FIRE OR SHOCK HAZARD, DO NOT USE THIS RETROFIT KIT IN LUMINAIRES EMPLOYING SHUNTED BI-PIN LAMP HOLDERS. NOTE: SHUNTED LAMP HOLDERS ARE FOUND ONLY IN FLUORESCENT LUMINAIRES WITH INSTANT-START BALLASTS. INSTANTSTART BALLASTS MAY BE IDENTIFIED BY THE WORDS "INSTANT START" OR "I.S." MARKED ON THE BALLAST. THIS DESIGNATION MAY BE IN THE FORM OF A STATEMENT PERTAINING TO THE BALLAST ITSELF, OR MAY BE COMBINED WITH THE MARKING FOR THE LAMPS WITH WHICH THE BALLAST IS INTENDED TO BE USED [e.g., "F40T12/IS"]. FOR MORE INFORMATION, CONTACT THE LED LUMINAIRE RETROFIT KIT MANUFACTURER.

INSTALLERS SHOULD NOT DISCONNECT EXISTING WIRES FROM LAMP HOLDER TERMINALS TO MAKE NEW CONNECTIONS AT LAMP HOLDER TERMINALS. INSTEAD, INSTALLERS SHOULD CUT EXISTING LAMP HOLDER LEADS AWAY FROM THE LAMP HOLDER AND MAKE NEW ELECTRICAL CONNECTIONS TO LAMP HOLDER LEAD WIRES BY EMPLOYING CONNECTORS SUITABLE FOR THE APPLICATION.

TYPE B LAMP – Intended for operation in luminaires with traditional fluorescent-type lampholders wired directly to the branch circuit. This includes both factory-wired luminaires as well as those converted for this purpose under a retrofit program.

PARTS/COMPONENTS INCLUDED IN KIT

- Installation Instructions
- LED Lamp

TYPE B T8 Tube series Version A

1.Product Description

- Easy for installation and maintenance
- Replace existing fluorescent tube with ECG directly, no need to change the circuit
- Comply with ETL Certification

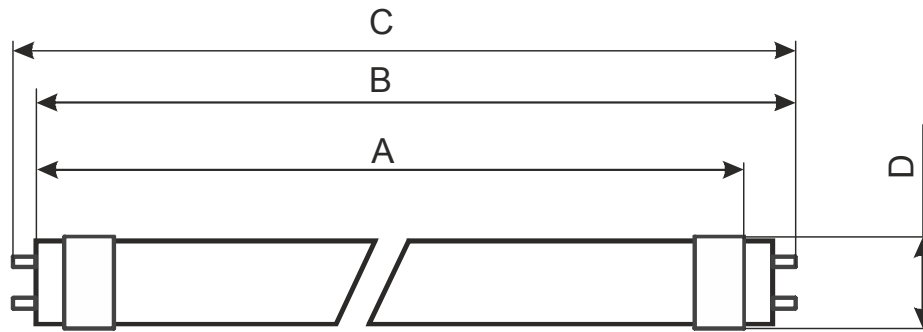
2.Applications

- Parking lots and covered car parks;
- Industry lighting and factory;
- Supermarket and retail store;
- School, hospital and office lighting

3.Other Characteristics

Item	Symbol	Unit	Rated Value
Input Voltage	U	v	120-277
Frequency	f	Hz	50-60
Power Factor	PF	-	>0.9
Total Harmonic Distortion	THD	%	<25%
Color Consistency	SDCM	-	5
Lifetime(L70/B50)	T	h	50000
Ambient Temperature Range	Ta	°C	-20~45
Storage Temperature	Ts	°C	-20~80
IP Protection	-	-	IP20

4. Product Dimension



Size	A (Max)	B (Min)	B (Max)	C (Max)	D (Max)	Cap
● 1200mm	1199.4	1204.1	1206.5	1213.6	27.5	G13

Size	A (Max)	B (Min)	B (Max)	C (Max)	D (Max)	Cap
● 600mm	589.8	594.5	596.9	604	27.5	G13

5. Installation Instruction

Double-ended Installation Instruction

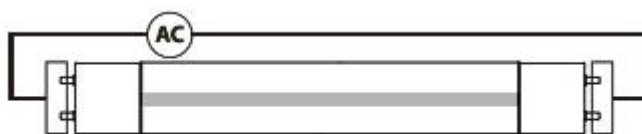


Figure 1. - Double-Ended connection

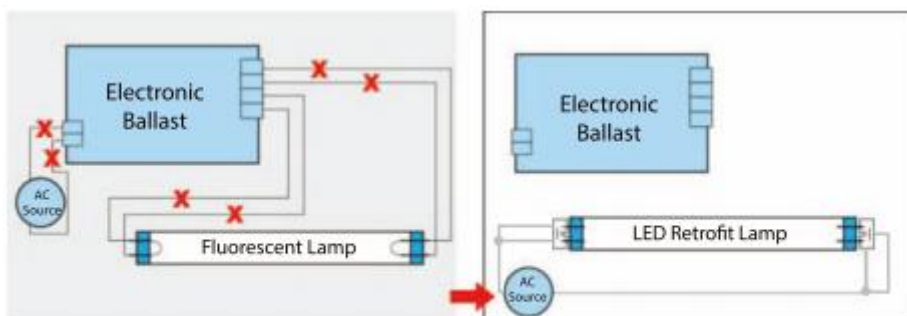


Figure 2. - Retrofit with One Lamp

TYPE B T8 Tube series Version A

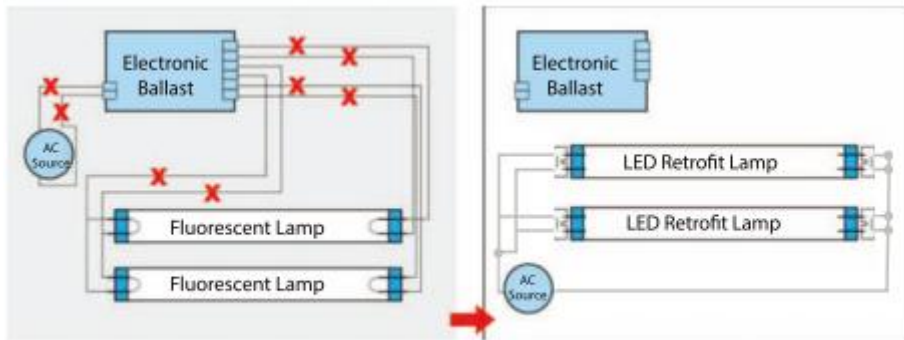


Figure 3. - Retrofit with Two Lamps

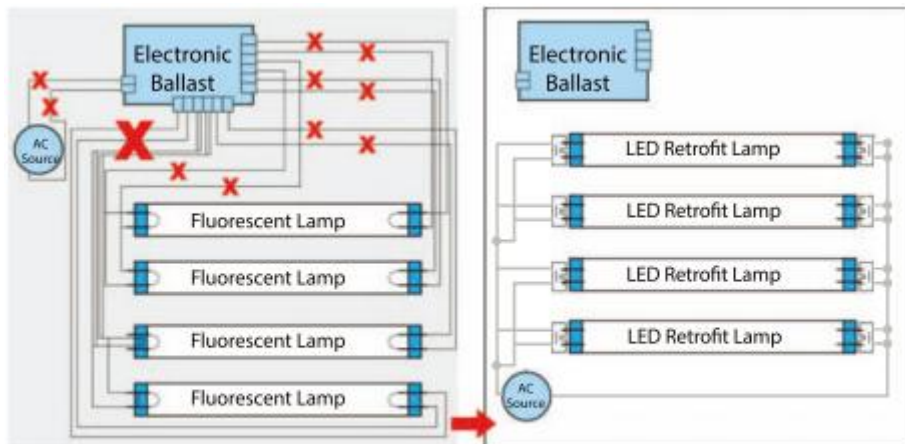


Figure 4. - Retrofit with Three/Four Lamps



1. Switch off electricity;
2. Detach the conventional lamp from the fitting by turning 90° ;
3. Remove the conventional lamp;
4. Rewire the light fitting as shown in the circuit diagram above (Figure 1 to Figure 4) ;
5. Insert the LED Tube into the lamp fitting;
6. Secure it in position by turning 90° ;
7. Switch on electricity.
8. Stick the Luminaire Label on Luminaire.

TYPE B T8 Tube series Version A

Single-ended Installation Instruction

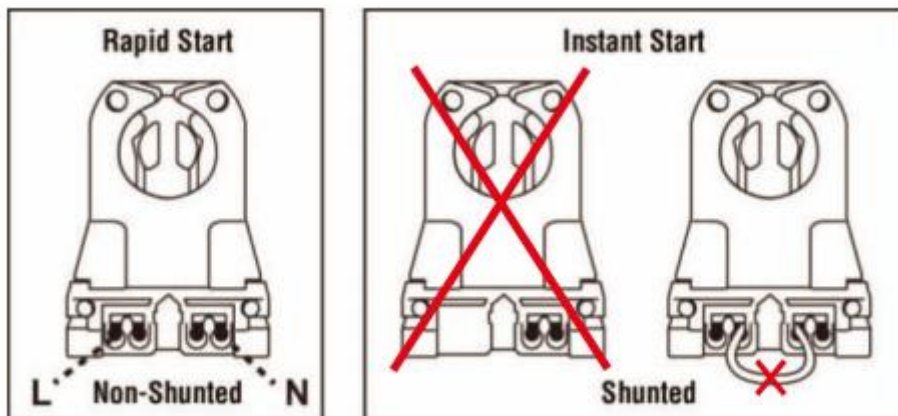


Figure 1. - Non-shunted & Shunted Lamp Holder



Figure 2. - Single-Ended connection

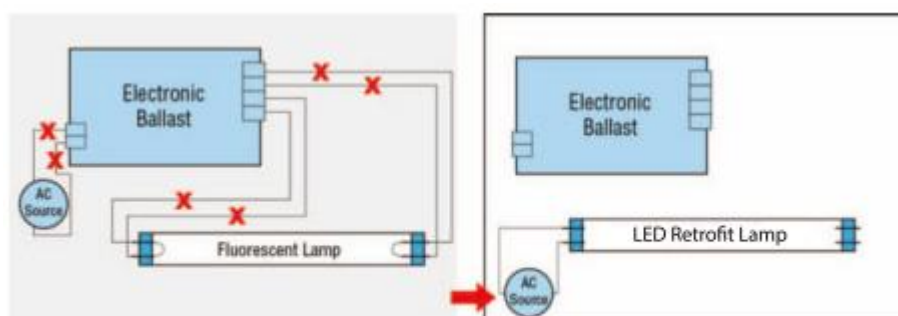


Figure 3. - Retrofit with One Lamp

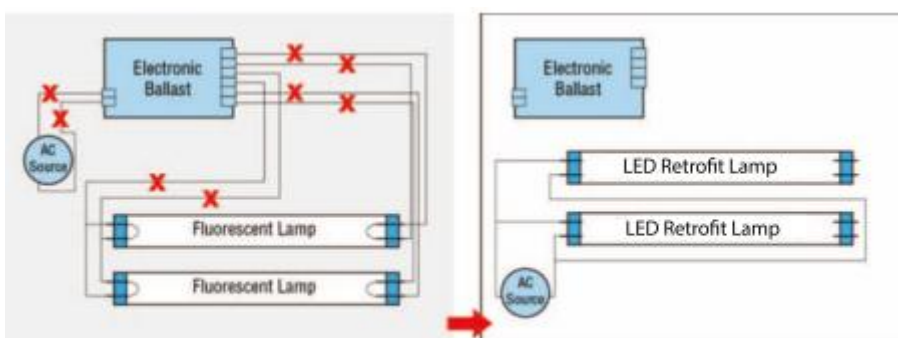


Figure 4. - Retrofit with Two Lamps

TYPE B T8 Tube series Version A

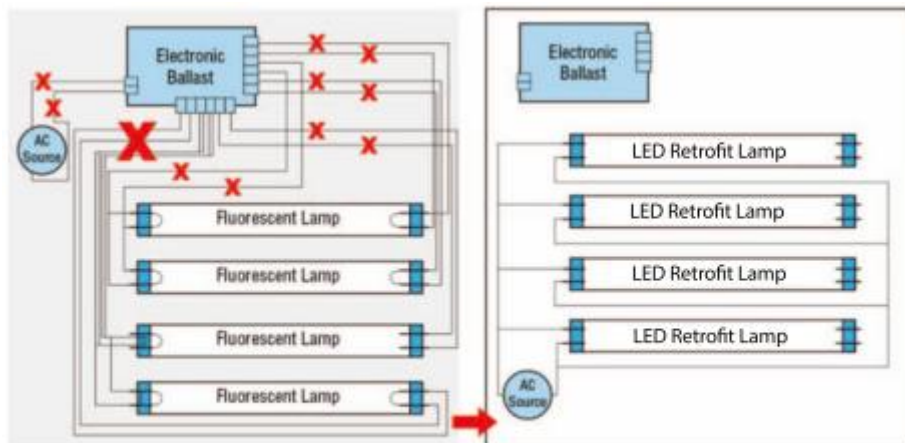


Figure 5. - Retrofit with Three/Four Lamps



1. Switch off electricity;
2. Detach the conventional lamp from the fitting by turning 90°;
3. Remove the conventional lamp;
4. Rewire the light fitting as shown in the circuit diagram above (Figure 3 to Figure 5);
5. Insert the LED Tube into the lamp fitting;
6. Secure it in position by turning 90°;
7. Switch on electricity.
8. Stick the Luminaire Label on Luminaire

6.Cautions

1. Lamps are not to be used in wet conditions or in a luminaire that don't provide protection;
2. Lamps are not designed to suit for emergency and dimming fixture operation;
3. This luminaire has been modified to operate LED lamps. Do not attempt to install or operate fluorescent lamps in this luminaire;
4. Please contact manufacture to ensure anything unconfirmed.