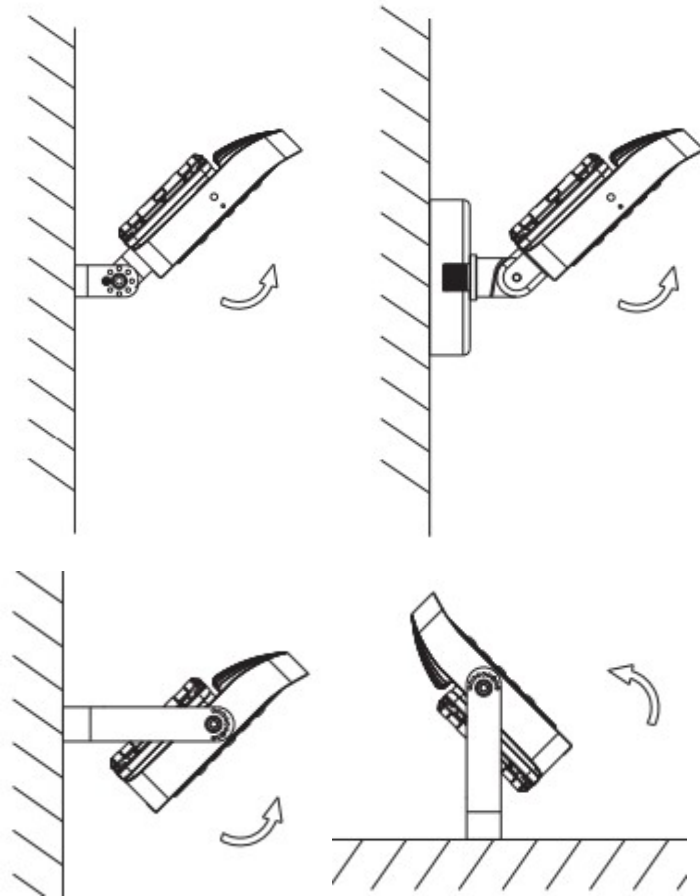


IV. Installation Drawing

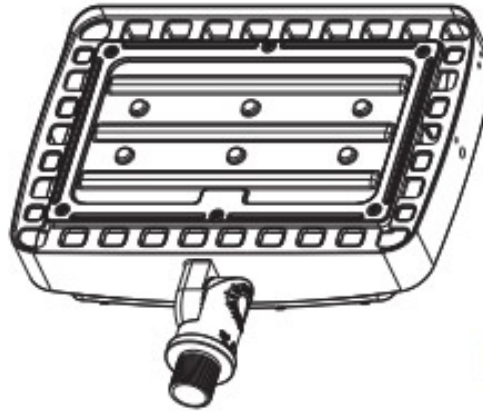


V. Installation Notes:

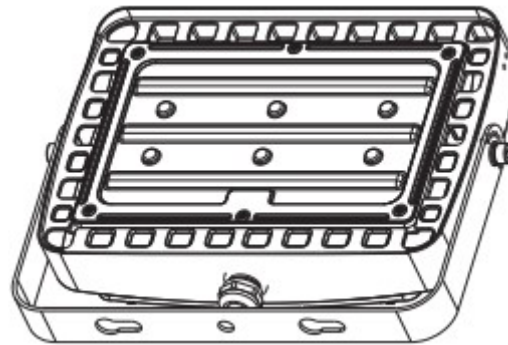
- Cut off the power and make sure the wall can burden the weight of the lamp.
- Before install the lamp, ensure the lamp wiring correctly, don't let the lamp's dropping down.
- Do not use the lamp in the area where have aggressive gas.
- Do not cover anything on the lamp which is harmful for heat sink.
- Products faults caused by separating, remodeling or incorrectly construction are not in the quality warranty range .

III . Mount

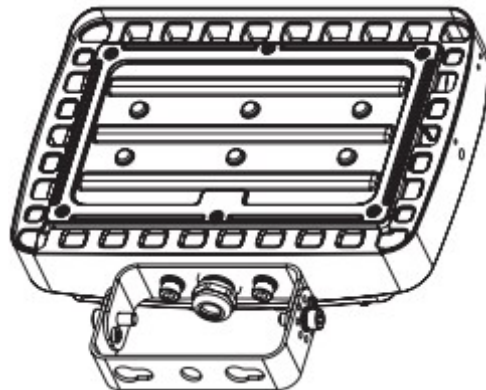
Mount 1 (Nipple 1/2' ' NPT/ Knuckle):



Mount 2 (U-bracket):



Mount 3 (Trunnion Mount):



LED Flood Light

Instruction Manual



I. Application :

For illuminating building facades, sign lighting, wall washing building exteriors, landscape lighting, and improving building security

II . Features

- (1) Convenient installation, long service life, energy conservation and environmental protection
- (2) Knuckle, U-bracket, Trunnion Mount Available
- (3) AC120-347 V input
- (4) IP65 for outdoor using
- (5) Narrow/Wide Beam Angle for choice