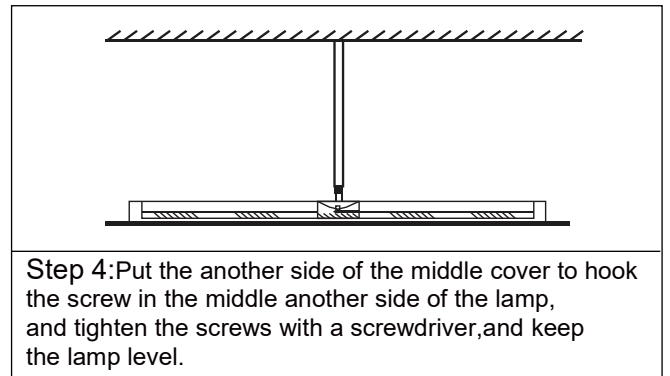
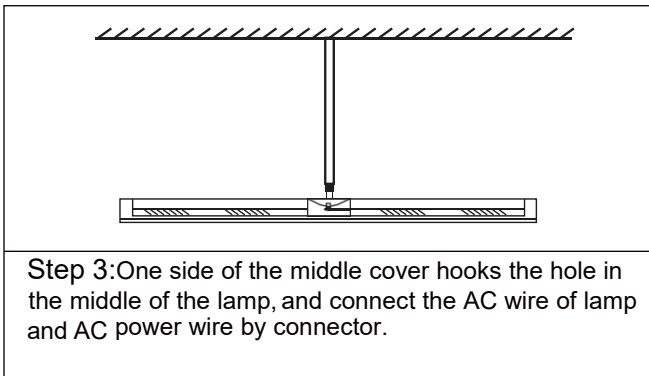
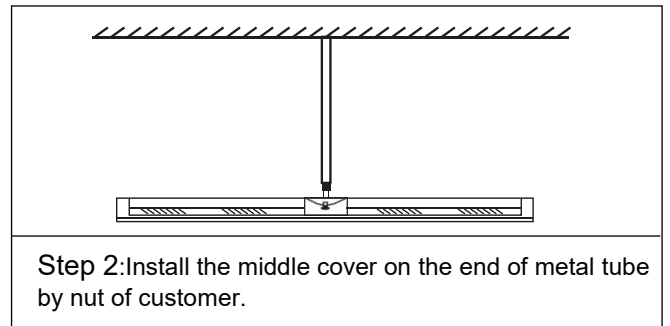
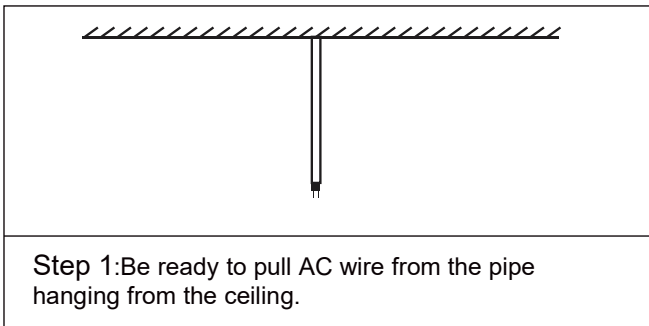


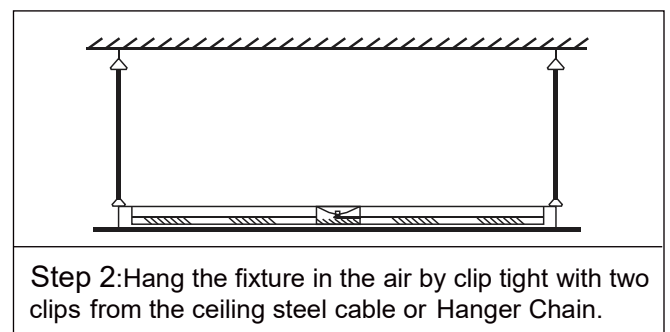
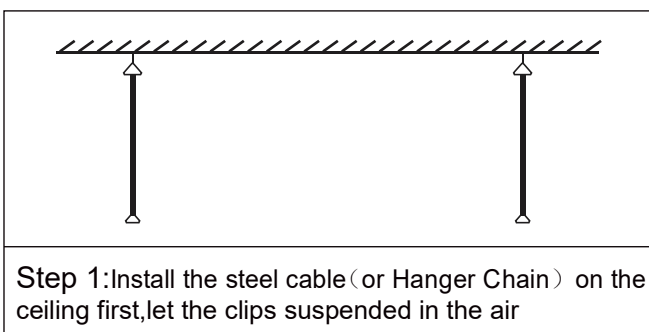
INSTALLING THE HIGH BAY LUMINAIRE

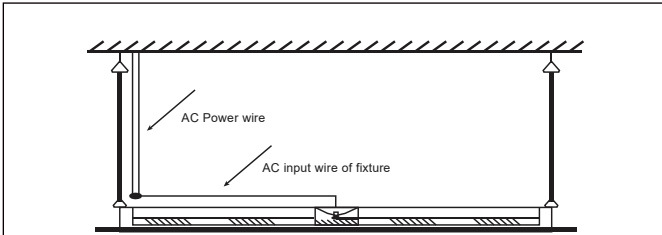
1. Disconnect all power sources from lighting fixture and ensure they are locked out during installation or maintenance, please refer to wiring diagram section of instructions.
2. The user can select the wattage required by the internal switch in according to the wattage preset. NOTE: The switch can only select 4PCS watts range.
3. The control signal connected to the internal switch belongs to SELV and is harmless to human body..
4. It is recommended that the cable connecting High Bay luminaire should not be less than 18 AWG

1. Installation way option 1: Derrick Mount



2. Installation way option 2: Suspending Installation

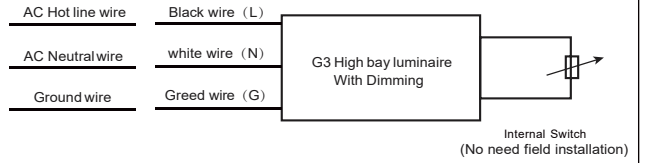




Step 3:

1. Open the middle cover of the High Bay Luminaire and put the AC wire of the luminaire through the bushing on middle cover hole, like the below picture.

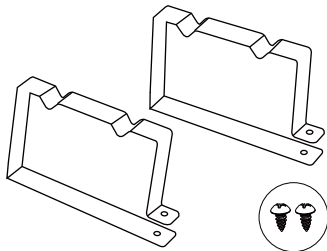
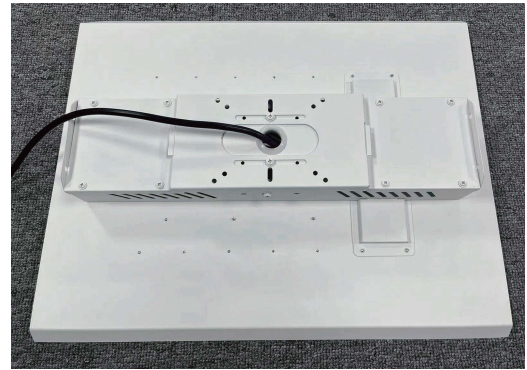
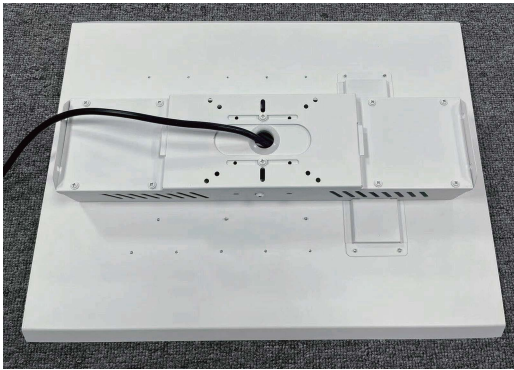
Wiring Diagram



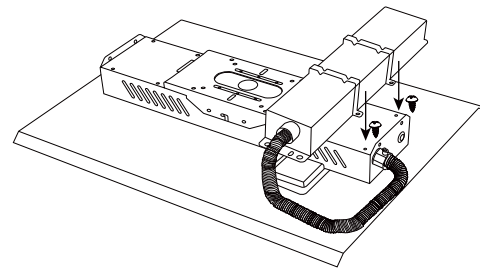
NOTE:

1. Black wire of in cable connect to AC Hot line wire , White wire of in cable connect to AC Neutral wire, Green wire of in cable connect to Ground wire, like the below wiring diagram.
2. Customers adjust the wattage of the lamp by the internal switch as required.

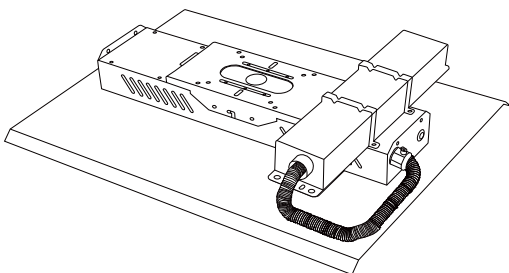
2. Then put the AC input wires of fixture connection the AC power wire by connector, plug the extra wire back into the middle junction box of the luminaire., and close the middle cover (like the below picture).



1. mounting clip and screw



2. Align the emergency driver in the center position as shown. Use the mounting clips to align the screw holes in the cover then secure the emergency driver.



3. Emergency drive installation complete

EM Wiring Diagram

