

Applications:

- Wastewater treatment, oil and gas refineries, drilling rigs, petrochemical facilities, food and beverage facilities, tunnels, outdoor or indoor mounted general area lighting, and where flammable vapors, gases, ignitable dusts, fibers or flyings are present.
- No external source of heating or cooling, and the equipment is not intended to be installed near external heating or cooling sources that could affect the service temperature.

Features:

- CTT: 3000K~6500K;
- -40°C to +50°C ambient operating temperature;
- Wide optics for uniform illumination;
- Fixture warranty;
- Entry Size: 3/4" -14 NPT or M25 X 1.5 or r M26 X 1.5
- Junction box optional;
- U-Bracket optional;

Standard Materials:

- Housing –Aluminum alloy (ADC12);
- Lens –tempered glass;

Mounting (ordered separately):

Versatile mounting options:

- Pole mount
- U-Bracketmount

Mounting Angle: 0° to ±90°;

Certifications and compliances:

ATEX Certificate No. : UL 22 ATEX 2543X, UL 22 ATEX 2544X

- Ⓜ II 3G Ex ec IIC T*Gc;
- Ⓜ II 2D Ex tb IIIC T*Db;
- IP66;

Model \ Ta	Ambient temperature range (Ta)			
	Zone 2			Zone 21
	-40°C ≤ Ta ≤ +40°C	-40°C ≤ Ta ≤ +45°C	-40°C ≤ Ta ≤ +50°C	-40°C ≤ Ta ≤ +40°C
JLS-EP-LB-80	T4	T4	T4	79°C
JLS-EP-LB-60	T4	T4	T4	79°C
JLS-EP-LB-40	T4	T4	T4	79°C
JLS-EP-LB-30	T4	T4	T4	79°C

Standard :

ATEX: EN IEC 60079-0-2018; EN 60079-7-2015; EN 60079-31-2014;

Warning:**ATEX:**

- "WARNING – DO NOT OPEN WHEN ENERGIZED" ;
- "WARNING – DO NOT OPEN WHEN AN EXPLOSIVE ATMOSPHERE IS PRESENT" ;
- "WARNING – Potential Electrostatic Charging Hazard –Please wipe with a damp cloth when cleaning" ;
- End user shall use certified cable gland suitable type of protection for final installation purpose;
- External earthing wire shall be connected when used and the cross-sectional area shall be more than 4mm² or 10AWG;
- Under rating condition, maximum temperature on the luminaire's shell shall not be higher than 130°C for T4. Temperature at cable inlet shall not be higher than allowable limit of the cable applied, to ensure the cable operation normally. For JLS-EP-LB-30, JLS-EP-LB-40, The branch point is 57.3°C and cable entry point is 52.3°C; For JLS-EP-LB-60, JLS-EP-LB-80, The branch point is 58.2°C and cable entry point is 52.6°C;

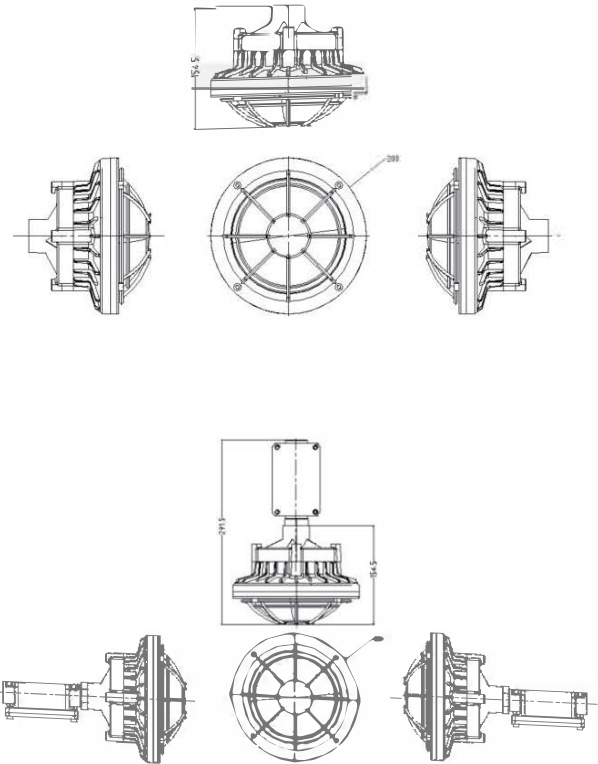
Technical table:

Model	Power (W)	Input voltage: AC100-277V; Frequency: 50/60Hz;	
		CCT: 3000K~6500K	
		Power factor: 0.97	
		Light efficiency (Lm/W)	Weights (kg)
JLS-EP-LB-30	30	120	3.0/3.6
JLS-EP-LB-40	40	120	
JLS-EP-LB-60	60	120	7.0/8.2
JLS-EP-LB-80	80	120	

Dimensions:

Figure 1 applies to JLS-EP-LB-30, JLS-EP-LB-40 .

Φ x H: Φ200 x 157(292/244.5) mm



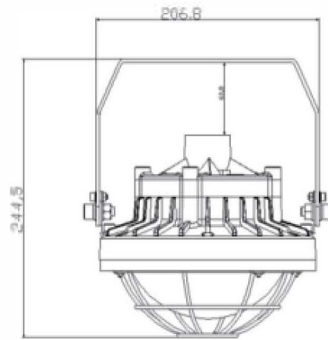


Figure 1

Figure 2 applies to JLS-EP-LB-60 , JLS-EP-LB-80

Φ x H: Φ300 x 204 (339/292.8)mm

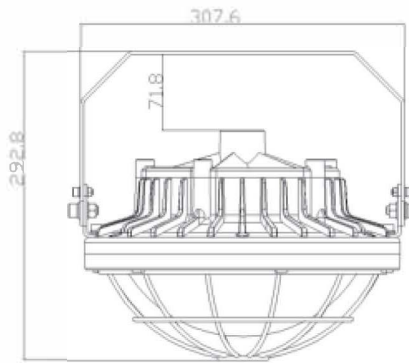
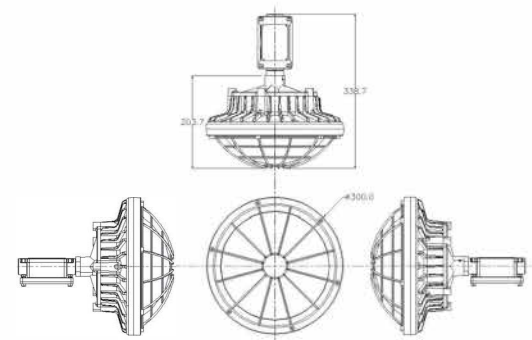
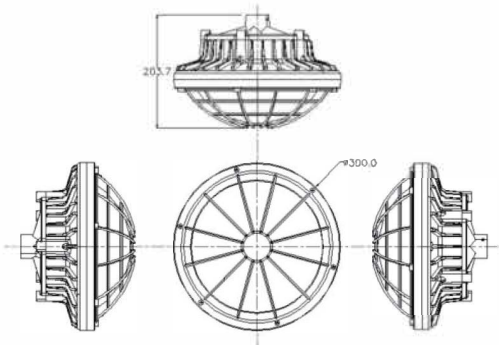


Figure 2

Mounting:

The product can be mounted as shown in Figure3 to 6 below.

Pole Mount

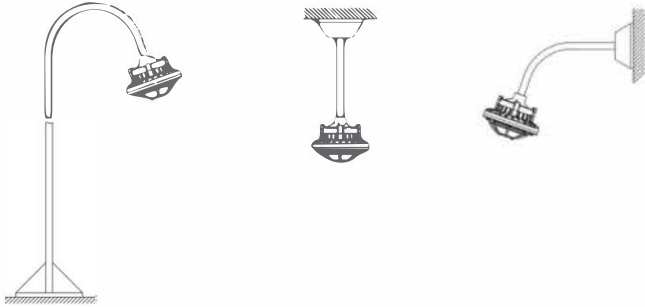


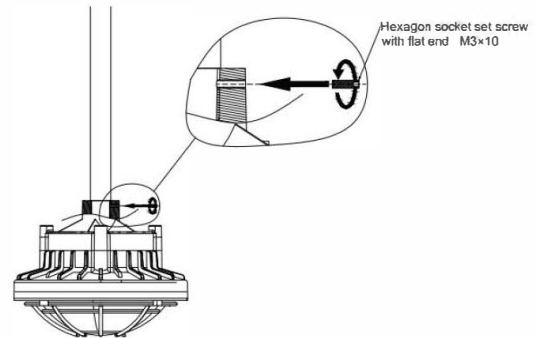
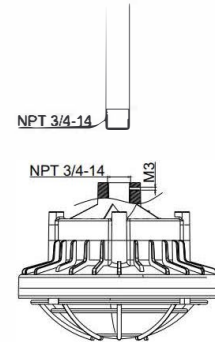
Figure 3 Pole Mount (Without junction box)



Figure 4 Pole Mount (With junction box)

Installation steps (Pole mount) :

Use the NPT 3/4-14 conduit to connect with the cable entry of CES-EX GB 02, and use an M3 bolt to lock the thread to ensure that the thread is not loose. See Steps.



Step2: Fasten the conduit with an M3 bolt

Figure 5 Pole Mounting

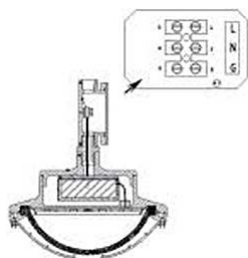
Electrical Connection

Overview of Electrical Connection (Customer installation ATEX Certified Cable Gland In the field)

- The customer need choose the ATEX Certified Cable Gland.
- Cable Gland specifications should include.
 - a. Protection type "ec" and "tb"
 - b. Above IP66 level
 - c. ATEX Certification
 - d. Male thread size is 3/4" -14 NPT or M25 X 1.5 or r M26 X 1.5

When the product is not equipped with a junction box, the product is connected with a 0.5m three-core wire, L (red wire is connected to Live); N (white wire is connected to neutral wire); (green wire is grounded). The customer is not allowed to open the power box of the lamp for wiring.

If the customer chooses a junction box, the customer can connect the junction box by himself. First, open the upper cover of the junction box, and connect the corresponding terminal blocks of L, N, and G through the terminal blocks as shown below. Also pay special attention to connecting the G wire to the ground terminal of the junction box.



Cable: Stranded or solid, 3X1.0mm²,
800V, 90°C
Wire strip length: 8 mm
Torque: 0.5 Nm
