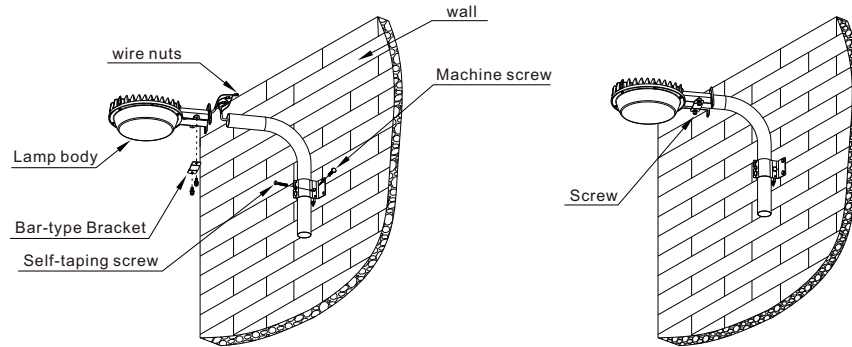


## INSTALLATION:

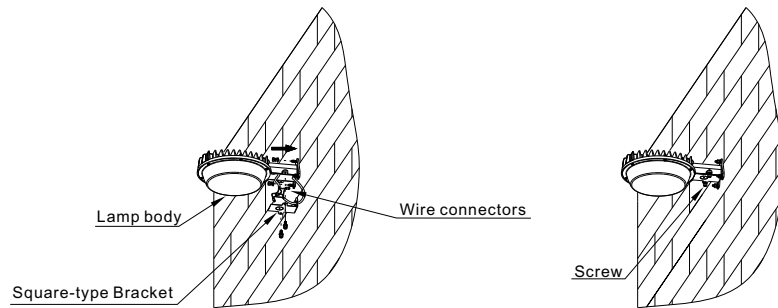
### ► Pole Mounting

1. Remove Bar-type Bracket.
2. Feed wires through the lamp-post, then wire to line voltage.
3. Mount lamp body to pole, and attach the bar-type bracket firmly with screws.
4. Place the self-tapping screws and machine screw into holes on the mounting bracket, line up with holes in wall and secure firmly with screws.



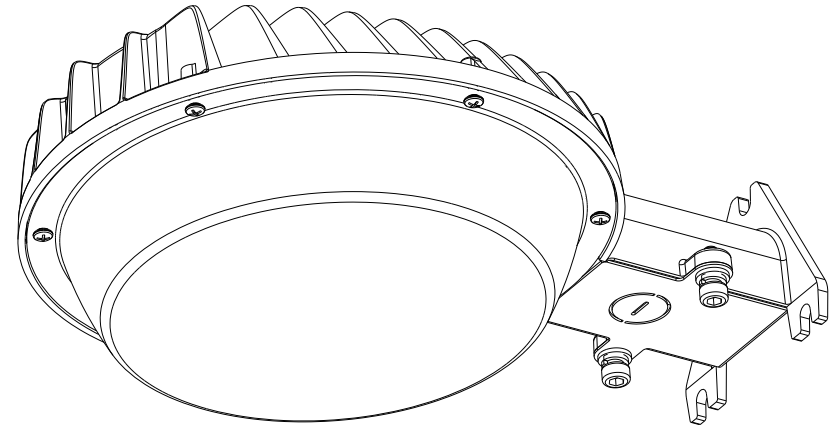
### ► Wall Mounting

1. Remove Square-type Bracket.
  2. Place the self-tapping screws into holes on mounting bracket, line up with holes on the wall and attach firmly with screws. then wire to line voltage.
  3. Re-attach the Square-type bracket firmly to the luminaire.
- Remark: Knockout is available for Square-type Bracket.



# LED Barn Light

## Installation Instructions



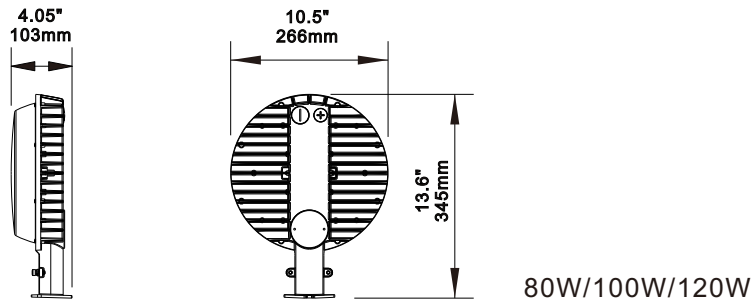
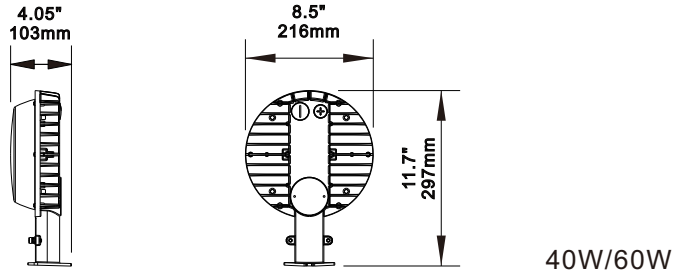
40W/60W/80W/100W/120W

## WARRANTY:

### 5-YEAR WARRANTY.

If this product fail to perform satisfactorily due to defect or poor workman ship within five years from the date of purchase, return it to the place of purchase and it will be replaced, free of charge. Incidental or consequential damages are excluded from the warranty.

## DIMENSIONAL DRAWING:



## SAFETY INSTRUCTION:

- This fixture must be wired in accordance with the international electrical code and applicable local codes and ordinances.
- Proper grounding is required to insure personal safety. Carefully observe the correct grounding procedure under installation section.
- Make sure power off before installing or maintaining fixture.
- Check that voltage is compatible with fixture driver, use approved connectors for all electrical connections.

**IMPORTANT: READ CAREFULLY BEFORE INSTALLING FIXTURE.  
RETAINFOR FUTURE REFERENCE.**

## CLEANING:

1. Before touching fixture, make sure the fixture is cooling.
2. Do not clean or maintain while fixture is energized.
3. Clean lens& fixture with non-abrasive glass cleaning solution.
4. Do not open fixture to clean and touch LED chips.

## WIRING INSTRUCTION:

### WARNING: TURN OFF POWER BEFORE CONNECTING WIRES.

Black wire connect to L, White wire connect to N, Green wire connect to GROUND.  
For 0-10V dimming, the wiring direction as below:

1. Turn off the power.
  2. Connect the BLACK wire with the LINE.
  3. Connect the WHITE wire with the COMMON.
  4. Connect the GREEN wire with the GROUND.
  5. Connect the PURPLE wire with the (V+) DIM.
  6. Connect the GARY wire with the (V-) DIM.
- Caution: DO NOT connect the GRAY (-)DIM V- wire with GROUND.

