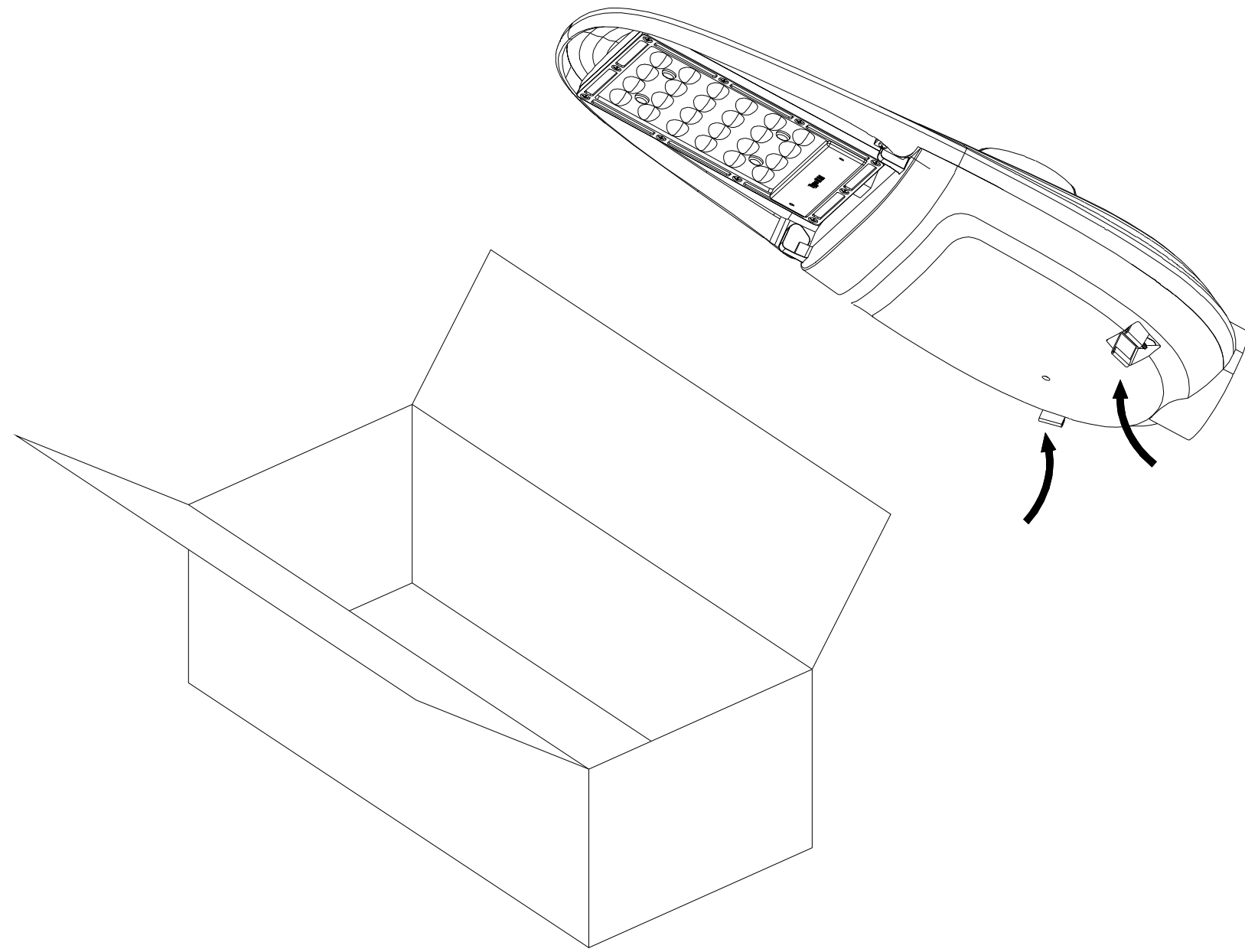
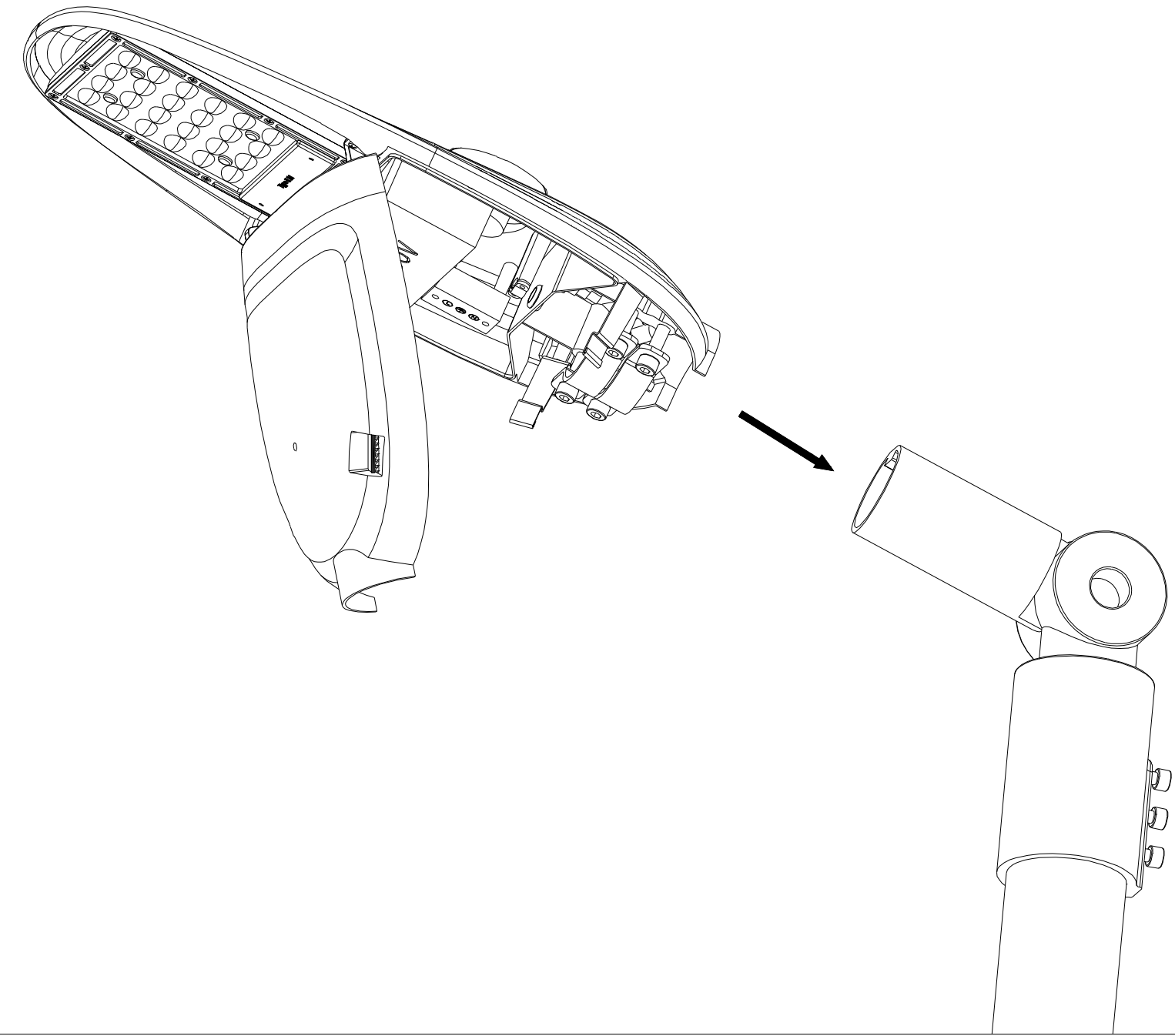


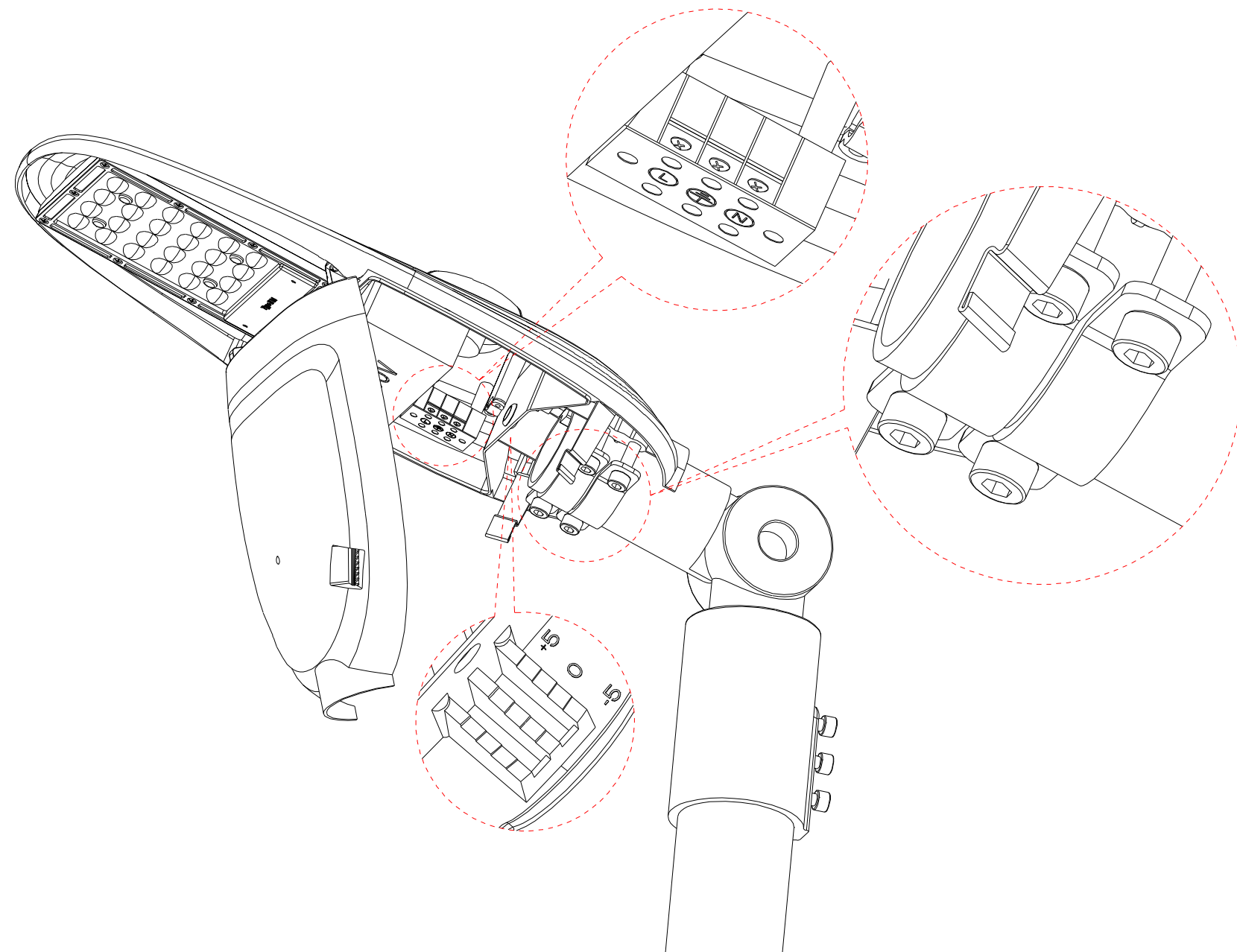
1. (1)Open the carton; (2).Take out the lamp; (3).Open elastic sheet as below image show; (4).Open the lamp cover.



2. Loosen the screw on plate so that the lamp can be sleeved in the lamp post.



3. (1)Adjust a suitable angle;(2) Lock the screw;(3) Connect the wire to the corresponding L/N/Ground wire position.



4. (1) Buckle the lamp cover back to the shrapnel position (2) Install the light sensor ; Now, lamp will work properly.

*Note:The size of the photosensory connect sheet is different.Need to insert the sensor to corresponding hole position of the light sensing base.Then rotate and lock.

