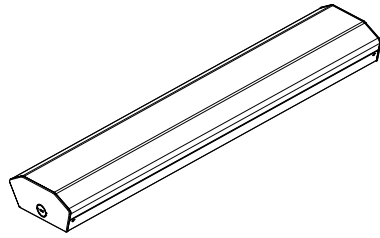
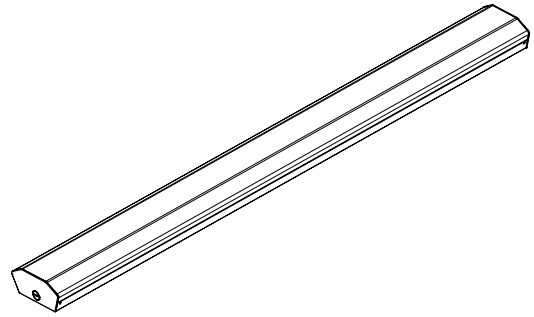


# INSTRUCTIONS

## WRP INSTALLATION



2FT



4FT

### IMPORTANT

#### READ CAREFULLY BEFORE INSTALLING FIXTURE. RETAIN THESE INSTRUCTIONS FOR FUTURE REFERENCE.

HN fixtures must be wired in accordance with the National Electrical Code and all applicable local codes. Proper grounding is required for safety. THIS PRODUCT MUST BE INSTALLED IN ACCORDANCE WITH THE APPLICABLE INSTALLATION CODE BY A PERSON FAMILIAR WITH THE CONSTRUCTION AND OPERATION OF THE PRODUCT AND THE HAZARDS INVOLVED.

#### WARNING:

- Make certain power is OFF before installing or maintaining fixture.

#### NOTE:

- No user maintenance or cleaning required.

## CEILING MOUNTING

The fixture is suitable for indoor applications.

1. Carefully snap out **Lens** one side at a time from **Housing**.
2. Remove **Screws (2)** from **Reflector** and remove the **Reflector**.
3. Pull supply wires from Junction Box (not supplied) through **Center Access Hole** of **Housing** as shown in Fig. 1. Use appropriate UL rated wire connectors as required by code to make electrical splices to fixture leads.
4. Follow appropriate mounting and wiring instructions per code.
5. Once connections are made push all wires behind the **Reflector**.
6. Replace **Reflector**. Be careful not to pinch wires. Hook **Lens** to one side of **Housing** and Snap **Lens** into place as shown in Fig. 2.

**WARNING:** To prevent wiring damage or abrasion, do not expose wiring to edges of sharp objects.

Fig: 1

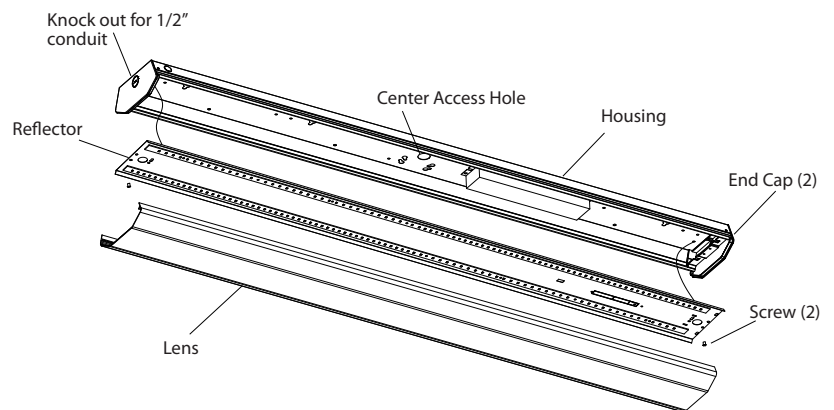
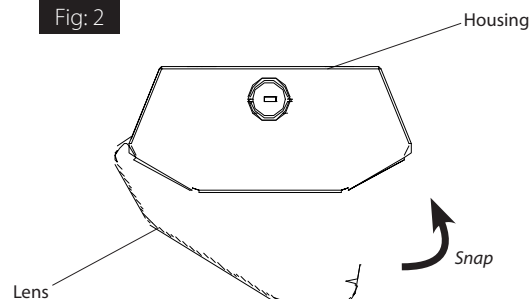


Fig: 2



# INSTRUCTIONS

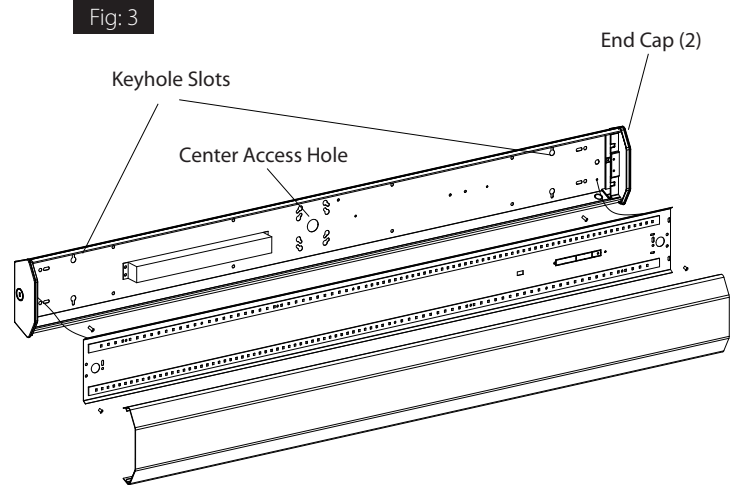
## WRP INSTALLATION



### SURFACE MOUNTING

The fixture is suitable for indoor applications for ceiling or wall mounting. Mount to a recessed octagonal junction box as follows:

1. Secure **Housing** to junction box or mount **Housing** directly to sturdy surface by using the **Keyhole Slots** (2 holes ) Fig. 3. Use the appropriate mounting hardware for the mounting surface.
2. Follow steps 5 and 6 in Ceiling Mounting section.



### CONDUIT MOUNTING

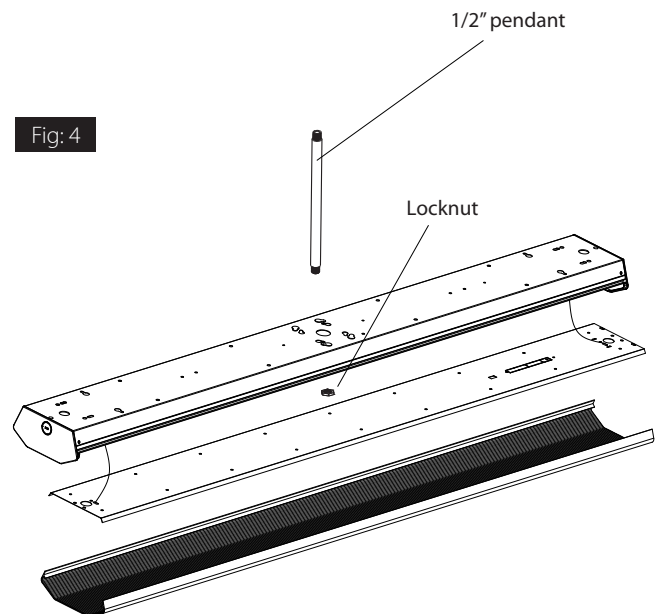
Housing can be mounted with 1/2" conduit on the End cap.

1. Knock out the conduit location before removing the lens.
2. Pull supply wires from Conduit (not supplied) through **Knock out Hole** of **Housing** as shown in Fig. 1.
3. Remove lens and reflector to access the fixture wire.
4. Follow appropriate mounting and wiring instructions per code.

### PENDANT MOUNTING

The fixture is suitable for pendant mounting indoor applications.

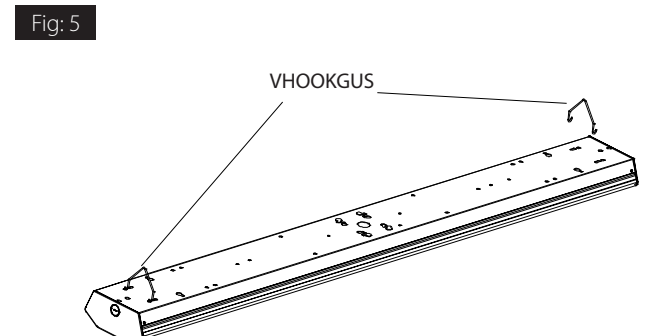
1. For pendant mounting, mount 1/2" **pendant** (not provided) to holes provided as shown in Fig. 4.
2. Secure **Housing** to Pendant with the locknut from the inside as shown in Fig 4. Use the appropriate mounting hardware for mounting Pendant to mounting surface.
3. Pass the Supply wires through the pendant and make electrical connections according to code.



### V-HOOK MOUNTING

The fixture can be mounted using V-hook (ordered separately as VHOOK).

1. Mount **V-hook** to the housing as shown in fig. 5. Use the appropriate mounting hardware for the mounting surface.
2. For electrical wiring, snap out the Lens and reflector as shown in Fig.1.
3. Pull supply wires in fixture through Central Access Hole. Use appropriate UL rated wire connectors as required by code to make electrical splices to fixture leads.



# INSTRUCTIONS

## WRP INSTALLATION



### 0-10V DIMMABLE WIRING

Universal voltage driver permits operation at 120V thru 277V, 50 or 60 Hz. For 0-10V Dimming, follow the wiring directions in **Fig. 6**.

1. Connect the black fixture lead to the LINE supply lead.
2. Connect the white fixture lead to the COMMON supply lead.
3. Connect the GROUND wire from fixture to supply ground.
4. Connect the purple fixture lead to the (V+) DIM lead.
5. Connect the pink fixture lead to the (V-) DIM lead.
6. Cap the yellow fixture lead, if present. Do NOT connect.

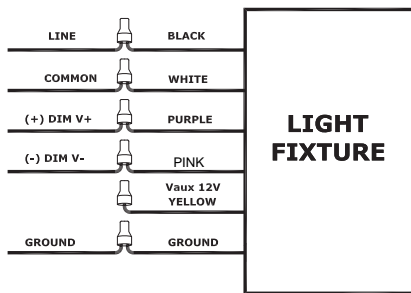


Fig: 6

### CLEANING & MAINTENANCE

**CAUTION:** Be sure fixture temperature is cool enough to touch. Do not clean or maintain while fixture is energized.

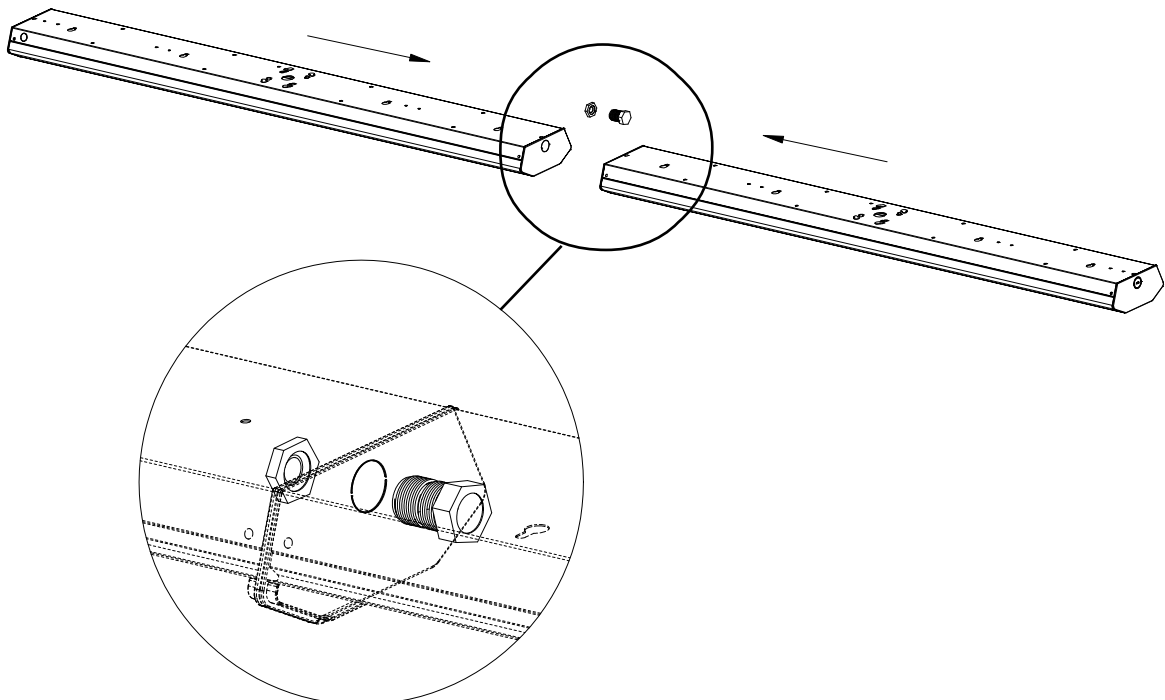
1. Clean acrylic lens with non-abrasive cleaning solution.
2. Do not open the fixture to clean the LEDs. Do not touch the LEDs.

### TROUBLESHOOTING

1. Check that the line voltage at the fixture is correct. Refer to wiring directions.
2. Is the fixture grounded properly?

### Tandem MOUNTING

Fig: 7



# INSTRUCTIONS

## WRP INSTALLATION



### FIELD ADJUSTMENT OPTIONAL

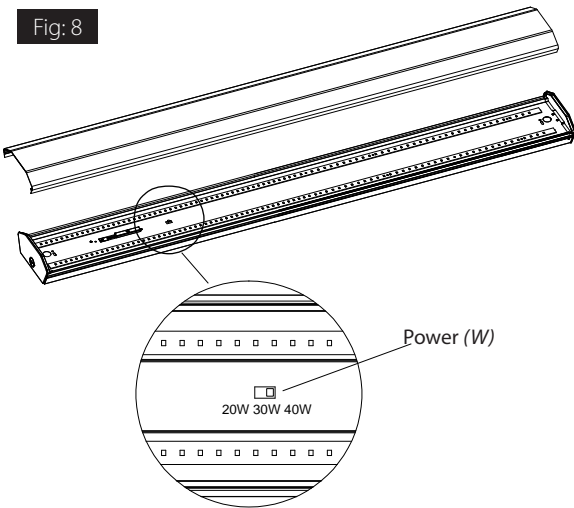
Follow instructions below to change the **Fixture Power (W)** from factory settings:

**Factory Settings:**

JLS68102-2FT 25W  
 JLS68102-4FT 40W

1. Open the **LENS**, as shown in Fig. 8.
2. Select **Power (W)** by sliding the switch to the desired value.

Fig: 8



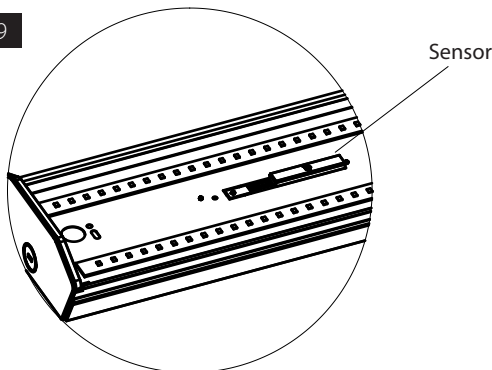
### Sensor OPTIONAL

See factory settings below

**Factory Settings:**

- Brightness: 100%
- Sensitivity: 100%
- Hold Time: 5 Seconds
- Stand-by dimming level: 10%
- Daylight: Disabled
- Stand-by time: 0 Seconds

Fig: 9



### BATTERY BACKUP MODELS

**NOTE:** Make sure that the necessary branch circuit wiring is available. An **UNSWITCHED** AC source of power is required. The emergency driver must be fed from the same branch circuit as the LED driver.

1. Connect **UNSWITCHED HOT** fixture lead to **HOT** AC supply line.
2. If using an **UNSWITCHED** circuit, connect **UNSWITCHED** and **SWITCHED** lines together.
3. If using a **SWITCHED** circuit, connect **SWITCHED HOT** AC fixture lead to the external **SWITCHED**.
4. Connect the **NEUTRAL** fixture lead to the **NEUTRAL** supply line.
5. For 0-10V Dimming, connect **DIM (+)** and **DIM (-)** to the supply **DIM (+)** and **DIM (-)**.
6. Connect **GROUND** lead from the fixture to the supply ground. Do not connect **GROUND** to the output leads.
7. All unused lead must be capped and insulated.
8. After installation is complete, supply AC power to the fixture
9. When power is on, the fixture should be on and the Charging Indicator Light should illuminate to indicate the battery is charging.
10. Once the **BATTERY** has charged for at least one hour, a short duration test may be performed by pressing the test button.
11. After the battery has charged for 24 hours, a long duration test can be performed by shutting power to the fixture.

Fig: 10

