

INSTALLATION INSTRUCTIONS

Remove the fixture and the mounting package from the box and make sure that no parts are missing by referencing the illustrations on the installation instructions.

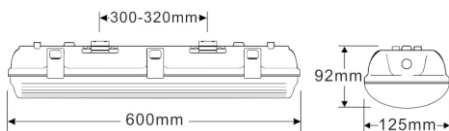
GENERAL: All electrical connections must be in accordance with local and National Electrical Code (N.E.C.) standards. Installation must be performed by a qualified installer.

WARNINGS AND CAUTIONS

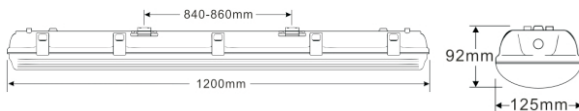
- Make sure that the supply voltage corresponds to the rated product voltage(100-277/120-347VAC).
- If the product is damaged, do not use it.
- All wiring connections should be capped with IEC approved wire connectors.
- The light source contained in this luminaire shall only be replaced by the manufacturer or his service agent or a similar qualified person.
- Maximum number/power of fittings for loop in/out power option: 25 units/400W (2ft); 10 units/500W (4ft); 5 units/600W (8ft).
- If the external flexible cable or cord of this luminaire is damaged, it shall be exclusively replaced by the manufacturer or his service agent or a similar qualified person in order to avoid a hazard.
- For ceiling or suspended mount there are two stainless steel surface brackets included.
- This fixture is intended to be connected to a properly installed and grounded UL listed junction box with suitable strain relief means for power cord. The junction box is not included, should be purchased separately.

DIMENSION : (mm/inch)

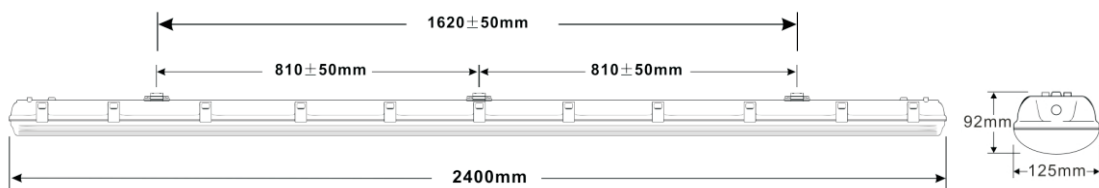
12W/16W/20W



22W/30W/40W
32W/40W/50W



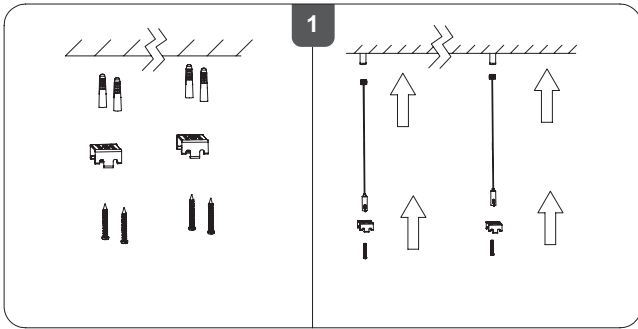
80W/100W/120W



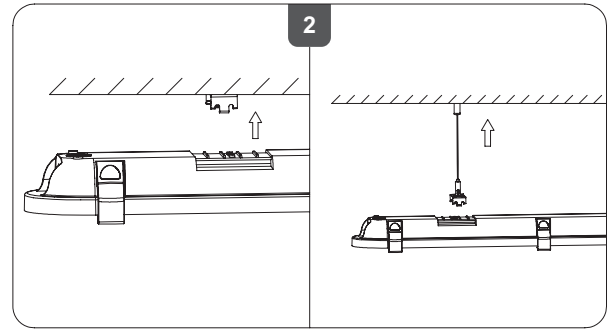
(Pic.A)

INSTALLATION INSTRUCTIONS

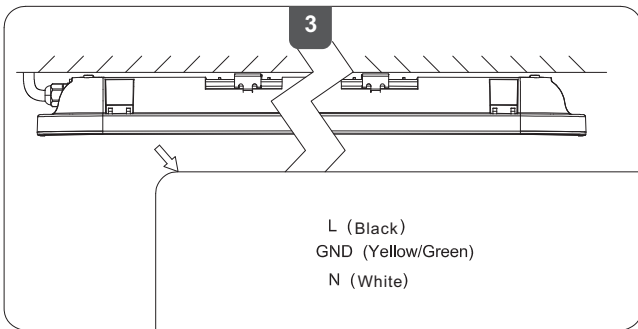
INSTALLATION AND WIRING INSTRUCTION



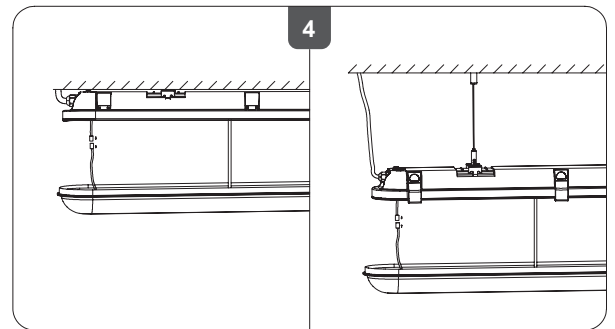
1. Identify installation location & check for any passing wiring/piping prior drilling and installing cables. Fix the mounting brackets / suspension kits on the ceiling at correct spacing as per dimensions.(Pic.A)



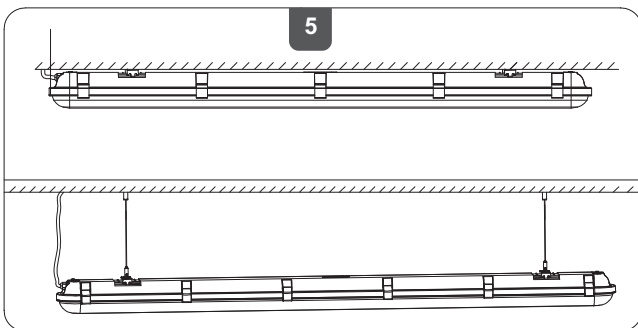
2. Position and fix base using the pre-fixed mounting brackets / suspension kits.



3. Connect the power cable accordingly.



4. Check all connections are sound and properly insulated, and fit the tray back in the casing.



5. Re-fit the diffuser to the base and secure all the clips.