

40W - 200W EXPLOSION PROOF WM SERIES



JAYKAL

PROJECT NAME:

JAYKAL LED SOLUTIONS, INC.

www.jaykal.net

PROJECT NOTES:

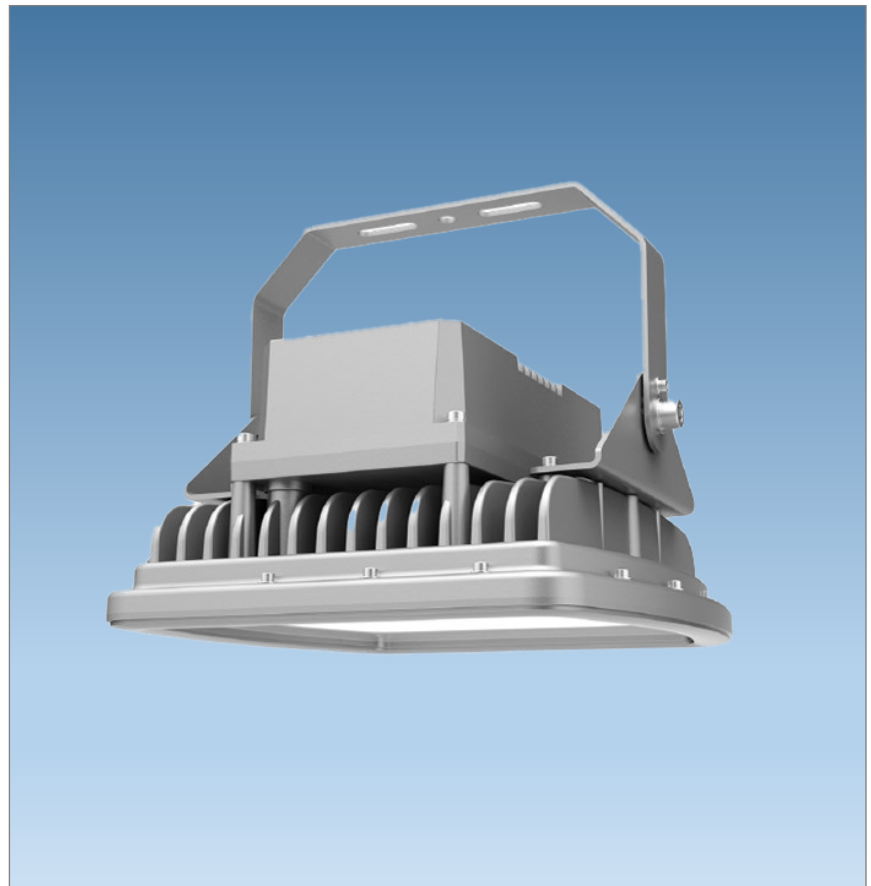
21499 Baltimore Ave.

Georgetown, DE 19947

(P) 302-295-0015

FEATURES

- ◆ Available Wattage : 40W/100W/200W
- ◆ 100-277VAC
- ◆ Explosion Rated
- ◆ T-Class: T6 for 100W, T5 for 40W and 200W
- ◆ Class I, Division 2, Groups A, B, C and D
- ◆ Damp and Wet Location



RoHS 
Compliant

Revised 12/19/23

Specifications are typical values and may change without notification

efficiency. illuminated.

40W - 200W EXPLOSION PROOF WM SERIES



JAYKAL

SPECIFICATIONS TABLE			
SPECIFICATIONS	40W	100W	200W
DRIVER	100-277VAC 50/60Hz Class 2		
EFFICACY	130lm/W		
LUMENS	5,200	13,000	26,000
POWER FACTOR	>0.97		
CRI	>70		
L70 HOURS	50,000+ hours		
CCT	3000K/4000K/5000K/6500K		
OPERATIONAL TEMP.	-40°C - 40°C		
BEAM ANGLE	90°/120°		
HOUSING MATERIAL	ADC12 Aluminum		
LENS MATERIAL	Shock and Vibration Resistant Tempered Glass, Super Clear 95% Light Transmittance		
HOUSING FINISH	Powder Coated, Salt Resistant and Chemical Resistant		
PROTECTION	IP 66 / IEC60598 Ingress Protection Rating of NEMA 4/4X (IP66) for Dust and Water		
WEIGHT	8.8lbs.	19.8lbs	23.1lbs.
VIBRATION RATING	3G Vibration Tested per ANSI C136.31 and IEC60598		
DIMENSIONS	7.8x7.8x5.7 inch	11.8 x 11.8x6.4 inch	15.7x15.7x6.6 inch
WARRANTY	5 Year Standard, 10 Year Optional		
UL CLASSIFICATIONS	UL844 - Class 1 Div 1 &2, UL1598, CSA 250, CSA 137,		
CERTIFICATION STANDARDS	Class I Division 2, Groups A, B, C, D/ T-Class: T6 for 100W, T5 for 40W and 200W		
VIBRATION RATING	3G vibration tested per ANSI C136.31 and IEC60598		
IP RATING	IP66		
IK RATING	IK10		

Specifications are typical values and may change without notification

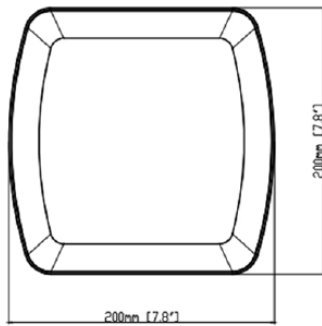
efficiency. illuminated.

40W - 200W EXPLOSION PROOF WM SERIES

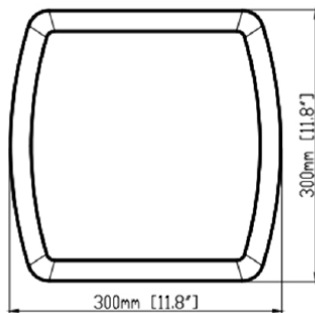
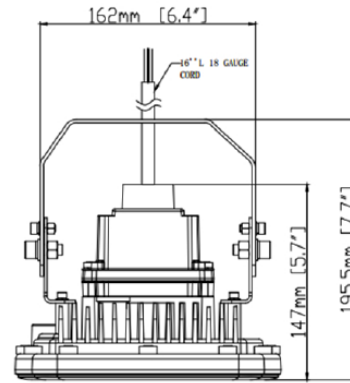


JAYKAL

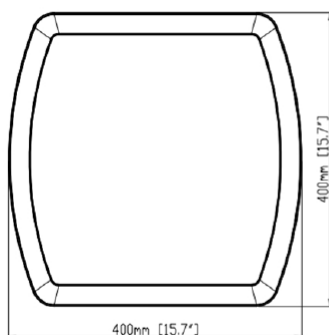
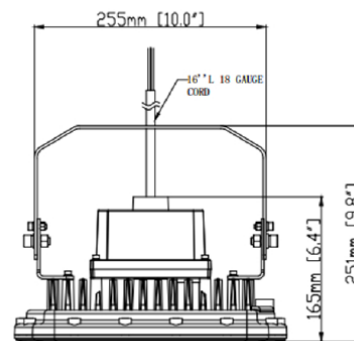
DIMENSIONS



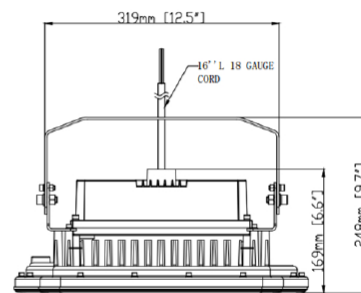
40W



100W



200W



Specifications are typical values and may change without notification

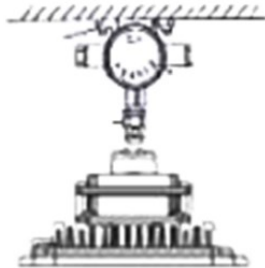
efficiency. illuminated.

40W - 200W EXPLOSION PROOF WM SERIES

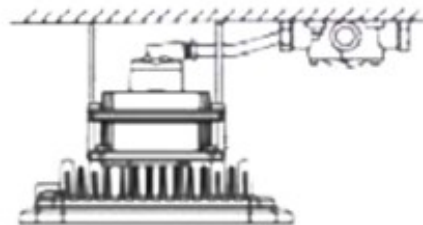


JAYKAL

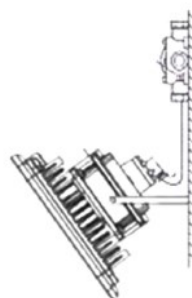
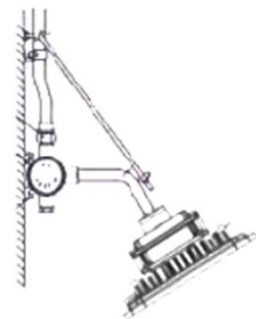
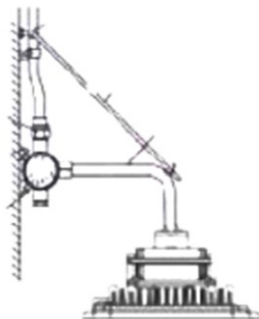
INSTALLATION OPTIONS



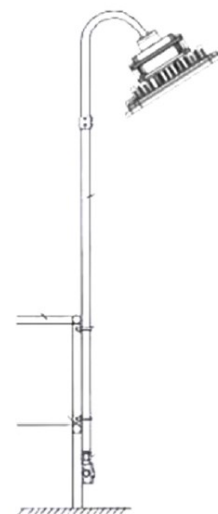
Ceiling Install



Pendant Install



Wall Mount Install



Pole Install

ORDERING INFORMATION				JLS68103-EP-WM-40-277-50-90-G						
MODEL	-	WATTAGE	-	VOLTAGE	-	CCT	-	BEAM ANGLE	-	FINISH
JLS68103-EP-WM	-	40 = 40W 100 = 100W 200 = 200W	-	277 = 100-277VAC	-	30K = 3000K 40K = 4000K 50K = 5000K 65K = 6500K	-	90 = 90° 120 = 120°	-	Y = Yellow G = Gray

Specifications are typical values and may change without notification

efficiency. illuminated.