

30W - 200W EXPLOSION PROOF LB SERIES



JAYKAL

PROJECT NAME:

JAYKAL LED SOLUTIONS, INC.

www.jaykal.net

PROJECT NOTES:

21499 Baltimore Ave.

Georgetown, DE 19947

(P) 302-295-0015

(F) 302-295-0016

FEATURES

- ◆ Available From 30W to 200W
- ◆ 100-277VAC
- ◆ Explosion Rated
- ◆ T-Class: T3C/T4/T4A/T5/T6
- ◆ Class I, Division 2, Groups A, B, C and D
- ◆ Class II, Division 2, Groups F and G
- ◆ Class III



RoHS 
Compliant

Revised 2/1/23

Specifications are typical values and may change without notification

efficiency. illuminated.

30W - 200W EXPLOSION PROOF LB SERIES



JAYKAL

SPECIFICATIONS TABLE									
SPECIFICATIONS	30W	40W	60W	80W	100W	120W	150W	185W	200W
DRIVER	Class2, 50/60Hz. 100-277VAC								
EFFICACY	130lm/W								
LUMENS	3,900	5,200	7,800	10,400	13,000	15,600	19,500	24,050	26,000
POWER FACTOR	>0.95								
CRI	>70								
L70 HOURS	50,000+ hours LED Lifespan Based on I ES LM-80 results & TM-21 Calculations at 25°C, and ERP>6000h								
CCT	3000K/4000K/5000K/6500K								
OPERATIONAL TEMP.	-40°C - 50°C								
BEAM ANGLE	180°/360°								
HOUSING MATERIAL	ADC12 Aluminum								
LENS MATERIAL	Shock and Vibration Resistant Tempered Glass, Super Clear 95% Light Transmittance								
HOUSING FINISH	Powder Coated, Salt Resistant and Chemical Resistant								
PROTECTION	IP 66 / IEC60598 Ingress Protection Rating of NEMA 4/4X (IP66) for Dust and Water								
WEIGHT	6.7lbs.	15.5lbs			29.6lbs.				
VIBRATION RATING	3G Vibration Tested per ANSI C136.31 and IEC60598								
DIMENSIONS	Φ7.9 x 6.2 inch	Φ11.8 x 8.0			Φ18.1 x 9.6				
WARRANTY	5 Year Standard, 10 Year Optional								
UL CLASSIFICATIONS	UL844 - Class 1 Div 1 & 2, UL1598, CSA 250, CSA 137,								
CERTIFICATION STANDARDS	Class I Division 1, Groups B, C, D / Class I Division 2, Groups A,B,C,D / Class II Division 1, Group E,F,G / Class II Division 2, Group E,F,G Class III, Ex d IIC T6 / Ex nA IIC T6 / Ex tb IIIC T6								
IEC/ATEX STANDARD	Ex d IIB T6 Gb/Ex tb IIIC T85°C Db / Zone 1, Zone 21, Zone 22								
VIBRATION RATING	3G vibration tested per ANSI C136.31 and IEC60598								
IP RATING	IP66								
IK RATING	IK10								

ORDERING INFORMATION					JLS68103-EP-LB-80-277-50K-G				
MODEL	-	WATTAGE	-	VOLTAGE	-	CCT	-	FINISH	
JLS68103-EP-LB		30 = 30W 40 = 40W 60 = 60W 80 = 80W 100 = 100W 120 = 120W 150 = 150W 185 = 185W 200 = 200W		277 = 100-277VAC		30K = 3000K 40K = 4000K 50K = 5000K 65K = 6500K		Y = Yellow G = Gray	

Specifications are typical values and may change without notification

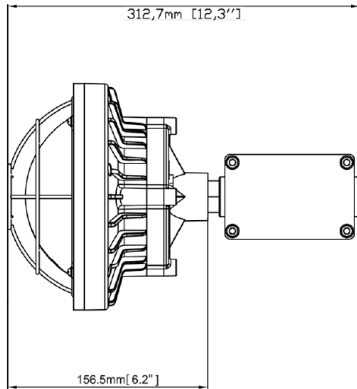
efficiency. illuminated.

30W - 200W EXPLOSION PROOF LB SERIES

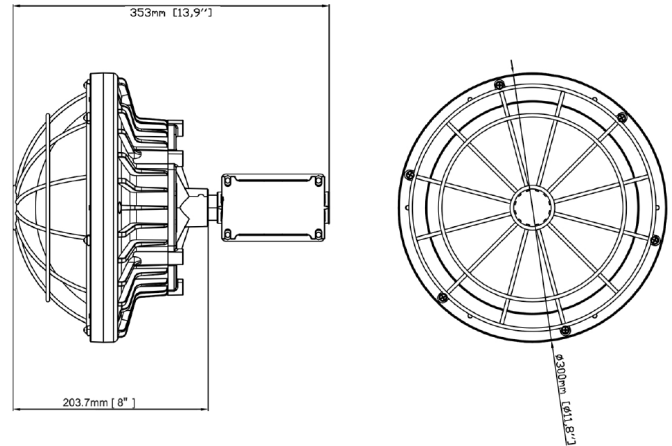


JAYKAL

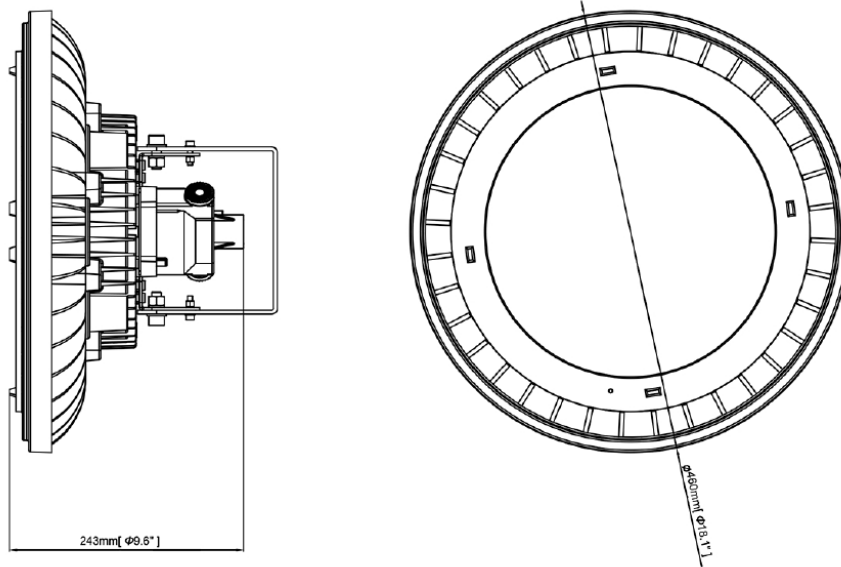
DIMENSIONS



30W/40W



60W/80W



100W/120W/150W/185W/200W

WATTAGE	DIMENSIONS
30W/40W types	200 x 157 (312.7) mm / 7.9 x 6.2 (12.3) inches
60W/80W types	300 x 204 (353) mm / 11.8 x 8 (13.9) inches
100W/120W/150W/185W/200W Types	460 x 243 mm / 18.1 x 9.6 inches

Specifications are typical values and may change without notification

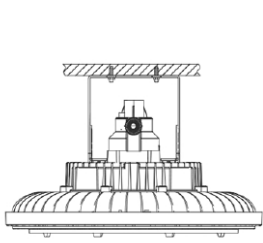
efficiency. illuminated.

30W - 200W EXPLOSION PROOF LB SERIES

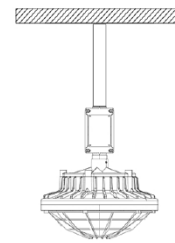
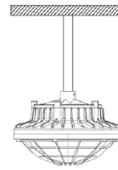
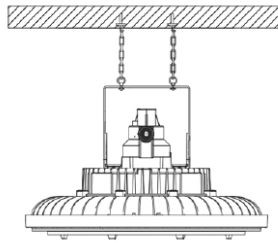


JAYKAL

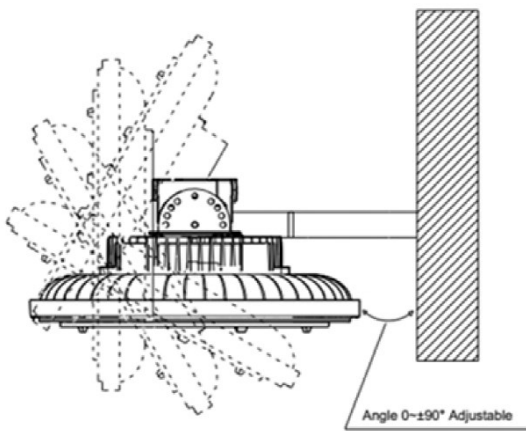
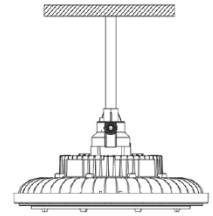
INSTALLATION OPTIONS



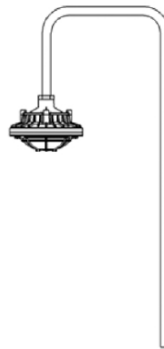
Ceiling Install



Pendant Install



Wall Mount Install



Pole Install



Specifications are typical values and may change without notification

efficiency. illuminated.