

40W - 600W EXPLOSION PROOF HB SERIES



JAYKAL

PROJECT NAME:

JAYKAL LED SOLUTIONS, INC.

www.jaykal.net

PROJECT NOTES:

21499 Baltimore Ave.

Georgetown, DE 19947

(P) 302-295-0015

FEATURES

- ◆ Available From 40W to 600W
- ◆ 100-277VAC
- ◆ Explosion Rated
- ◆ T-Class: T3C/T4A/T5
- ◆ Class I, Division 2, Groups A, B, C and D
- ◆ Class II, Division 2, Groups F and G
- ◆ Class III



RoHS 
Compliant

Revised 2/2/23

Specifications are typical values and may change without notification

efficiency. illuminated.

40W - 600W EXPLOSION PROOF HB SERIES



JAYKAL

SPECIFICATIONS TABLE							
SPECIFICATIONS	40W	50W	60W	80W	100W	120W	150W
DRIVER	Class2, 50/60Hz. 100-277VAC						
EFFICACY	150lm/W						
LUMENS	6,000lm	7,500lm	9,000lm	12,000lm	15,000lm	18,000lm	22,500lm
POWER FACTOR	>0.95						
CRI	>70						
L70 HOURS	50,000+ hours						
CCT	3000K/4000K/5000K/6500K						
OPERATIONAL TEMP.	-40°C - 40°C						
BEAM ANGLE	90°			110°			
HOUSING MATERIAL	ADC12 Aluminum						
LENS MATERIAL	Shock and Vibration Resistant Tempered Glass, Super Clear 95% Light Transmittance						
HOUSING FINISH	Powder Coated, Salt Resistant and Chemical Resistant						
WEIGHT	18.2lbs.			25.6lbs.			
VIBRATION RATING	3G Vibration Tested per ANSI C136.31 and IEC60598						
DIMENSIONS	596 x 126 x 114mm / 23.5 x 5 x 4.5 inch			566 x 202 x 112mm / 22.3 x 8 x 4.4 inch			
WARRANTY	5 Year Standard, 10 Year Optional						
UL CLASSIFICATIONS	UL844 - Class 1 Div 1 & 2, UL1598, CSA 250, CSA 137,						
CERTIFICATION STANDARDS	Class I Division 2, Groups A,B,C,D / Class II Division 2, Group F,G / Class III						
VIBRATION RATING	3G vibration tested per ANSI C136.31 and IEC60598						
IP RATING	IP66						
IK RATING	IK10						

Specifications are typical values and may change without notification

efficiency. illuminated.

40W - 600W EXPLOSION PROOF HB SERIES



JAYKAL

SPECIFICATIONS TABLE

PRODUCTS	2 MODULES				3 MODULES				4 MODULES			
SPECIFICATIONS	160W	200W	240W	300W	240W	300W	360W	450W	320W	400W	480W	600W
DRIVER	Class2, 50/60Hz. 100-277VAC											
EFFICACY	150lm/W											
LUMENS	24,000lm	30,000lm	36,000lm	45,000lm	36,000lm	45,000lm	54,000lm	67,500lm	48,000lm	60,000lm	72,000lm	90,000lm
POWER FACTOR	>0.95											
CRI	>70											
L70 HOURS	50,000+ hours											
CCT	3000K/4000K/5000K/6500K											
OPERATIONAL TEMP.	-40°C - 40°C											
BEAM ANGLE	110°											
HOUSING MATERIAL	ADC12 Aluminum											
LENS MATERIAL	Shock and Vibration Resistant Tempered Glass, Super Clear 95% Light Transmittance											
HOUSING FINISH	Powder Coated, Salt Resistant and Chemical Resistant											
PROTECTION	IP 66 / IEC60598 Ingress Protection Rating of NEMA 4/4X (IP66) for Dust and Water											
WEIGHT	55.1lbs.				81.6lbs				106.9lbs.			
VIBRATION RATING	3G Vibration Tested per ANSI C136.31 and IEC60598											
DIMENSIONS	594 x 434 x 124mm / 23.4 x 17.1 x 4.9 inch				638 x 594 x 175mm / 25.1 x 23.4 x 6.9 inch				838 x 594 x 175mm / 33.0 x 23.4 x 6.9 inch			
WARRANTY	5 Year Standard, 10 Year Optional											
UL CLASSIFICATIONS	UL844 - Class 1 Div 1 &2, UL1598, CSA 250, CSA 137,											
CERTIFICATIONS	Class I Division 2, Groups A,B,C,D / Class II Division 2, Group F,G / Class III											
VIBRATION RATING	3G vibration tested per ANSI C136.31 and IEC60598											
IP RATING	IP66											
IK RATING	IK10											

Specifications are typical values and may change without notification

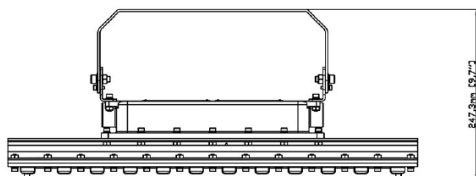
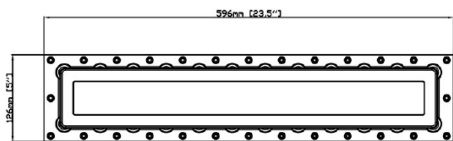
efficiency. illuminated.

40W - 600W EXPLOSION PROOF HB SERIES

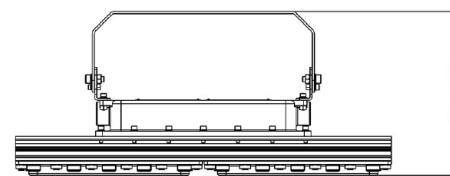
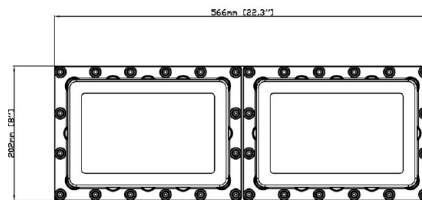


JAYKAL

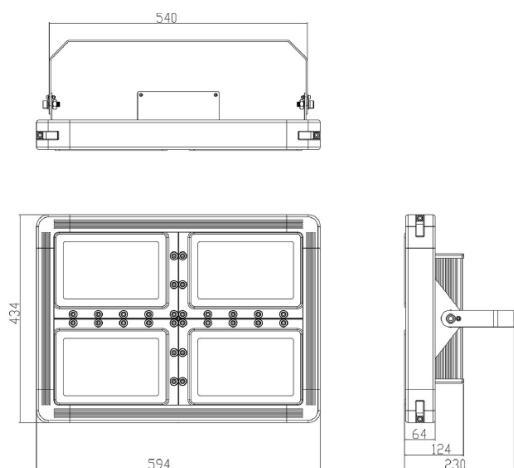
DIMENSIONS



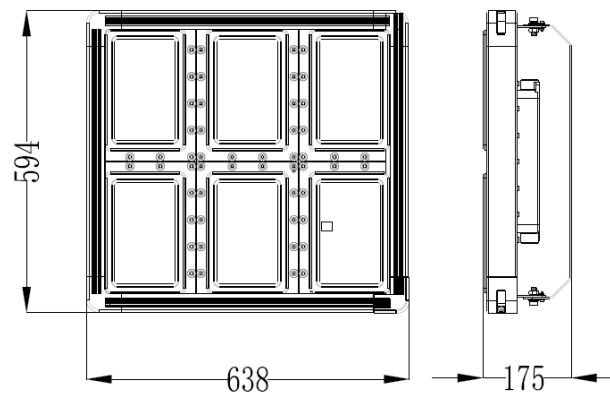
40W-60W



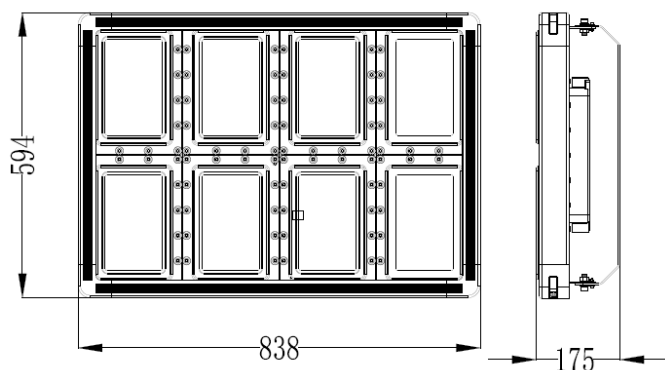
80W-150W



2 Modules 160W-300W



3 Modules 240W-450W



4 Modules 320W-600W

Specifications are typical values and may change without notification

efficiency. illuminated.

40W - 600W EXPLOSION PROOF HB SERIES



JAYKAL

PRODUCT CONFIGURATIONS



40W-60W



80W-150W



2 Modules 160W-300W



3 Modules 240W-450W



4 Modules 320W-600W

Specifications are typical values and may change without notification

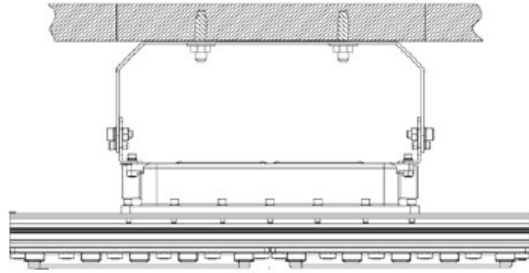
efficiency. illuminated.

40W - 600W EXPLOSION PROOF HB SERIES

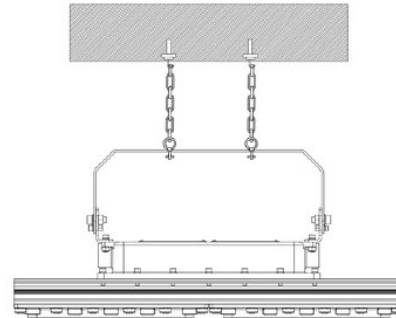


JAYKAL

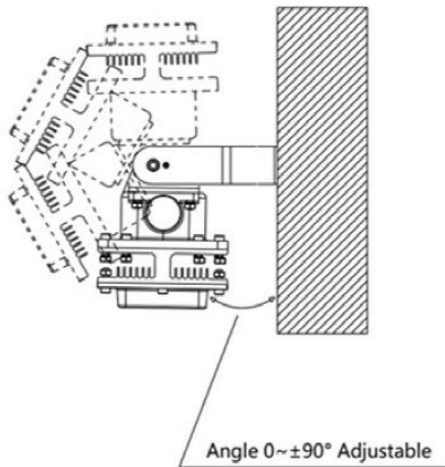
INSTALLATION OPTIONS



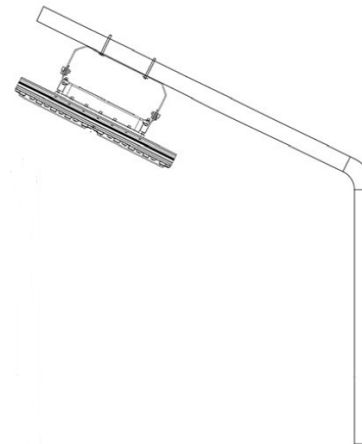
Ceiling Install



Pendant Install



Wall Mount Install



Pole Install

ORDERING INFORMATION				JLS68103-EP-HB-4-400-277-40K-G			
MODEL	MODULES	WATTAGE	VOLTAGE	CCT	FINISH		
JLS68103-EP-HB	1 = 1 Module 2 = 2 Modules 3 = 3 Modules 4 = 4 Modules	40 = 40W / 50 = 50W * 60 = 60W / 80 = 80W * 100 = 100W / 120 = 120W * 150 = 150W * 160 = 160W / 200 = 200W ** 240 = 240W / 300 = 300W ** 240 = 240W / 300 = 300W *** 360 = 360W / 450 = 450W *** 320 = 320W / 400 = 400W **** 480 = 480W / 600 = 600W **** * only for 1 module ** only for 2 modules *** only for 3 modules **** only for 4 modules	277 = 100-277VAC	30K = 3000K 40K = 4000K 50K = 5000K 65K = 6500K	Y = Yellow G = Gray R = Red		

Specifications are typical values and may change without notification

efficiency. illuminated.