

COMMERCIAL DOWNLIGHTS



JAYKAL

PROJECT NAME:

JAYKAL LED SOLUTIONS, INC.

www.jaykal.net

PROJECT NOTES:

21499 Baltimore Ave.

Georgetown, DE 19947

(P) 302-295-0015

(F) 302-295-0016

FEATURES & BENEFITS

- ◆ 3 Selectable Wattages
- ◆ 120-277Vac 50/60Hz
- ◆ CCT: 3 Selectable CCTs, 3000K/3500K/4000K or 3000K/4000K/5000K
- ◆ Dual Selectable Design
- ◆ 5 Year Standard Warranty



Revised 2/25/21

Specifications are typical values and may change without notification

efficiency. illuminated.

COMMERCIAL DOWNLIGHTS



JAYKAL

SPECIFICATIONS TABLE

SPECIFICATIONS	JLS68102-CR FLICKER-FREE SERIES				
SIZE	4inch	6inch		8inch	10inch
WATTAGE CODE	M1	M2	M3	M4	M5
POWER	6W/8W/12W selectable	8W/12W/16W selectable	20W/26W/33W selectable	12W/16W/22W selectable	22W/28W/33W selectable
INPUT VOLTAGE	120-277VAC 50/60 Hz				
POWER FACTOR	>0.9				
THD	<20%				
LUMENS AT CRI=80	560lm/720lm/980lm	780lm/1080lm/1380lm	2350lm/3000lm/3700lm	1250lm/1620lm/2250 lm	2100lm/2600lm/3050 lm
LUMENS AT CRI=90	460lm/600lm/800lm	640lm/890lm/1140lm	1600lm/2050lm/2500lm	1030lm/1350lm/1880 lm	1760lm/2200lm/2500lm
EFFICACY	77-94 lm/W				
CRI	80/90				
CCT	3000K/3500K/4000K Selectable or 3000K/4000L/5000K Selectable				
FLICKERING INDEX	<10% (Flicker-free)				
LIFE (L70)	50,000+ Hours				
PROTECTION	IP44				
CERTIFICATIONS	CE/RoHS/ETL/Energy Star/ T24/FCC CFR Part 15 Class A				
SURGE PROTECTION	Ring-wave interference 2500V				
ENVIRONMENT	Indoor and Damp Locations				
TEMPERATURE RATING	Designed to operate in temperatures 45°C and below room side and plenum side.				
DIMMING CONTROL	0-10V				
WARRANTY	5 Year				
DIAMETER	4 / 6 / 8 / 10 Inch				

ORDERING GUIDE

EXAMPLE: JLS68102-CR-6-M2-8MCCT1-10-FF

MODEL	SIZE	WATTAGE	CRI	CCT	DIMMING	FLICKERING	OPTIONS
JLS68102-CR	4 = 4 Inch Can	M1 = (6W, 8W, 12W) only for 4inch	8 = 80CRI	MCCT1 = (3000K,3500K,4000K)	10 = 0-10V Dimming	FF = Flicker-Free	Blank = No extra options
	6 = 6 Inch Can	M2 = (8W, 12W, 16W) only for 6inch	9 = 90CRI	MCCT2 = (3000K,4000K,5000K)	P = Phase Cut Dimming*		EM = Emergency Backup
	8 = 8 Inch Can	M3 = (20W, 26W, 33W) only for 6inch			* Only for M2 type of 6inch		
	10 = 10 Inch Can	M4 = (12W, 16W, 22W) only for 8inch			* Only available for 120VAC		
		M5 = (22W, 28W, 33W) only for 10inch					

Specifications are typical values and may change without notification

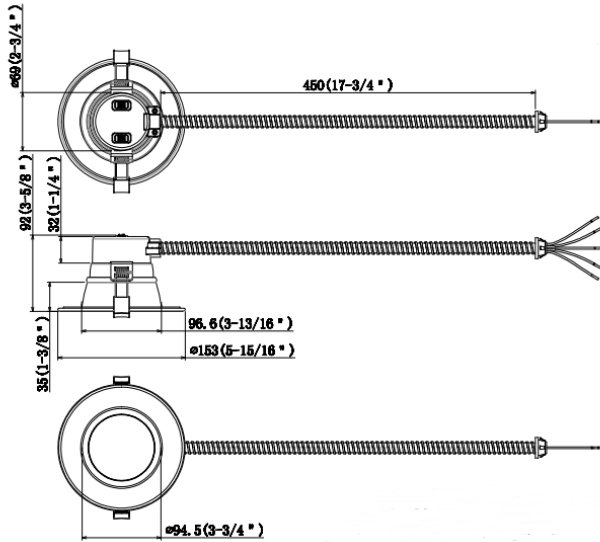
efficiency. illuminated.

COMMERCIAL DOWNLIGHTS

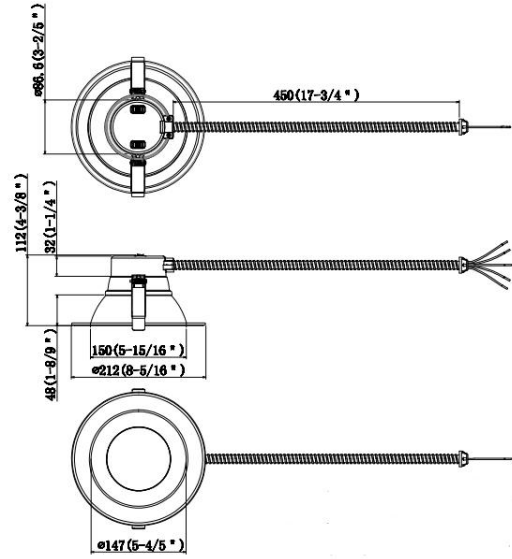


JAYKAL

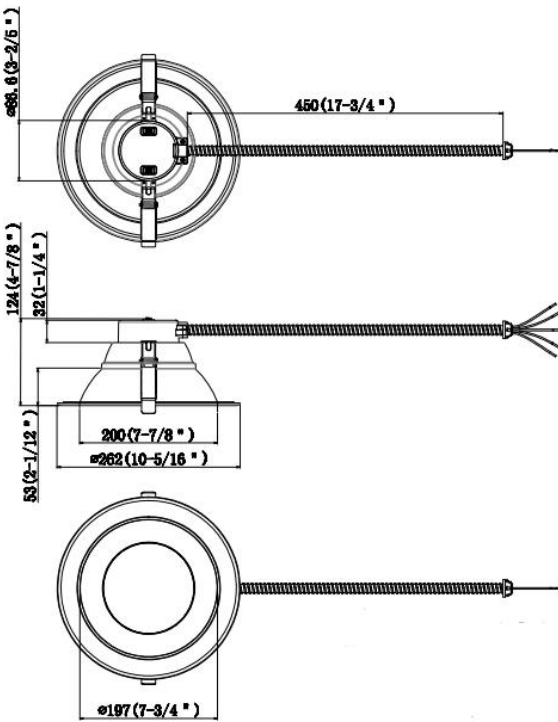
DIMENSIONS



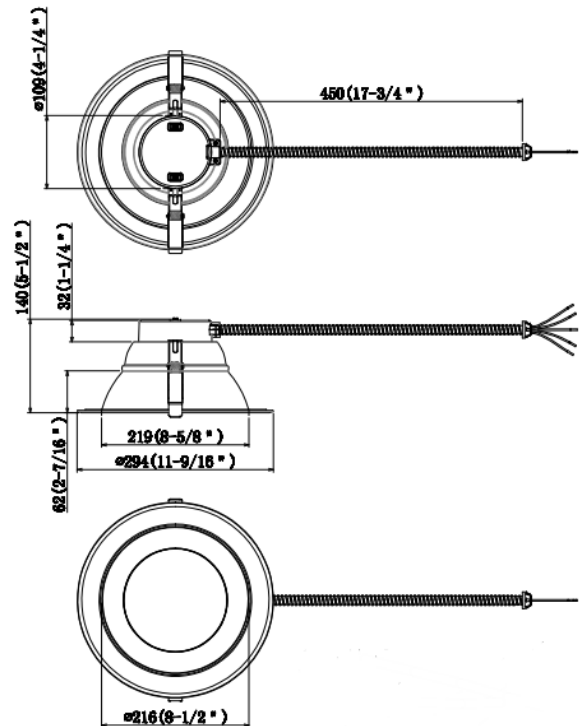
4-inch



6-inch



8-inch



10-inch

Specifications are typical values and may change without notification

efficiency. illuminated.