



# TYPE B GLASS SERIES T8 LAMPS

**JAYKAL**

PROJECT NAME:

**JAYKAL LED SOLUTIONS, INC.**

[www.jaykalusa.com](http://www.jaykalusa.com)

21499 Baltimore Ave.

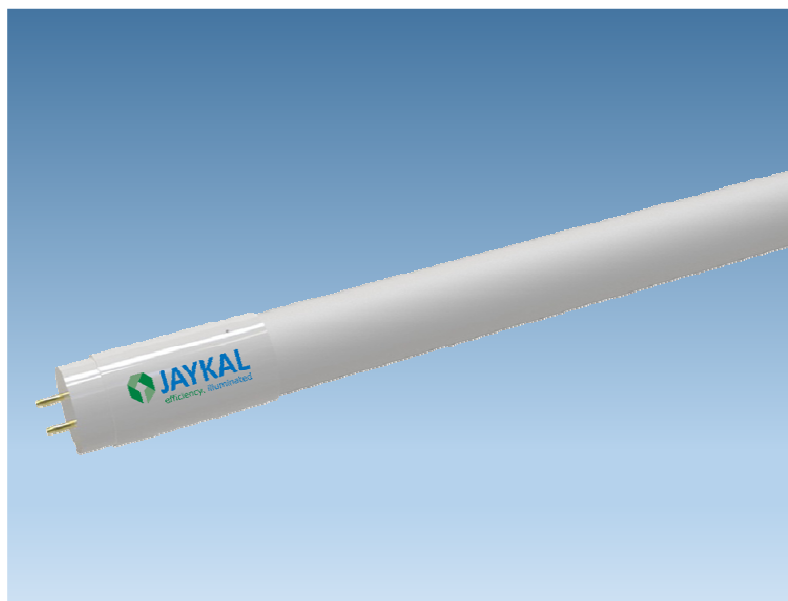
Georgetown, DE 19947

(P) 302-295-0015 (F) 302-295-0016

PROJECT NOTES:

## KEY FEATURES

- ◆ Shatterproof Glass
- ◆ Available in 2 and 4 ft. Lengths
- ◆ 120-277VAC Ballast Bypass
- ◆ CCT: 4000K/5000K
- ◆ 330° Viewing Angle
- ◆ TAA/BAA Available
- ◆ Suitable for Open and Enclosed Fixtures
- ◆ Drop Test Rating of 6 Feet
- ◆ For Use with Shunted and Unshunted Lampholders
- ◆ 5 Year Warranty 24/7 Operation



*Specifications are typical values and may change without notification*

**efficiency. illuminated.**



# TYPE B GLASS SERIES T8 LAMPS

JAYKAL

SPECIFICATIONS TABLE				
INPUT VOLTAGE	120-277VAC 50/60hz			
LENGTH	2ft	4ft		
WATTAGE	6W	6W	9W	10.5W
EFFICACY	142lm/W	158lm/W	177lm/W	162lm/W
LUMENS	850lm	950lm	1,600lm	1,700lm
POWER FACTOR	>0.9			
THD	<20%			
VIEWING ANGLE	330°			
WIRING SCHEME	Single or Dual Ended			
CRI	Ra > 80			
L70 Hours	>50,000			
CCT	4000K/5000K			
WORKING TEMP.	-20°C - +40°C			
ENVIRONMENT	Dry/Damp			
HOUSING	Glass			

ORDERING GUIDE					JLS-4-840K-10.5W-DWD-S				
MODEL	-	LENGTH	CCT	-	WATTS	-	TYPE	-	DRIVER
JLS		2 = 2 Foot 4 = 4 Foot	840K = 4000K 850K = 5000K		6 = 6W 9 = 9W* 10.5 = 10.5W* * 4 Foot Only		DWD = Direct Wire Dual Ended		S = Standard

Not all product variations listed on this page are DLC qualified. Visit [www.designlights.org/search](http://www.designlights.org/search) to confirm qualification.

Contact Jaykal for additional product approval.

*Specifications are typical values and may change without notification*

**efficiency. illuminated.**

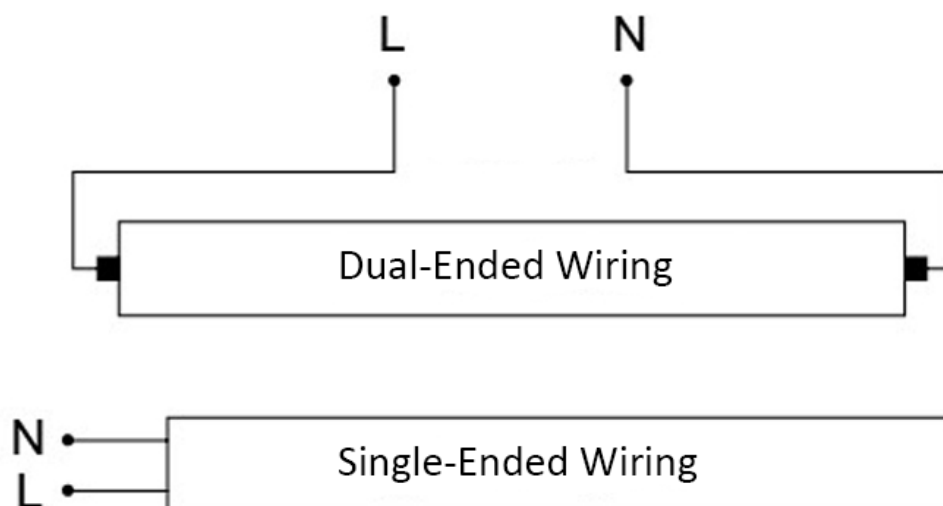


# TYPE B NANO SERIES T8 LAMPS

JAYKAL

Product	Length Pin to Pin (in.)	Length Base to Base (in.)	Diameter (in.)
4 Foot	47.71	47.16	1.09
2 Foot	23.77	23.15	1.09

## WIRING DIAGRAMS



For Dual-Ended Lamps, the pins on each end of the lamp are internally shunted. The lamps may be used with shunted or un-shunted tombstones.

*Specifications are typical values and may change without notification*

**efficiency. illuminated.**