



SENSOR READY JLS-LHB LINEAR HIGHBAY

JAYKAL

PROJECT NAME:

JAYKAL LED SOLUTIONS, INC.

www.jaykal.net

PROJECT NOTES:

21499 Baltimore Ave.

Georgetown, DE 19947

(P) 302-295-0015

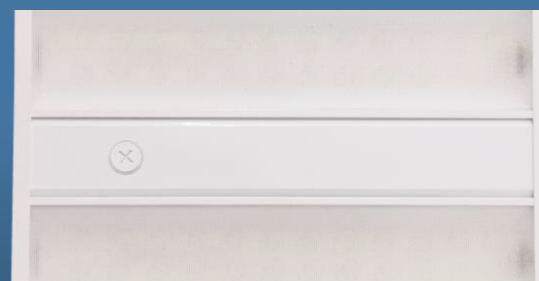
PRODUCT DESCRIPTION

Jaykal's new sensor ready design enables sensors to be installed by simply plugging in the sensor. If no controls are needed now, they may be added later, with a simple plugin installation. The fixture is suitable for commercial and retail applications.

Wattage and color selectability is standard, allowing field tuning to meet changing project requirements. It featuring three wattage presets and three color presets and is DLC listed.

FEATURES

- Wattage and CCT Adjustable
- Voltage: 100-277VAC
- CCT: 4000K/5000K Selectable
- 150 lm/W
- Sensor Ready
- Emergency Back Up Option



Revised 7/12/24

Specifications are typical values and may change without notification

efficiency. illuminated.



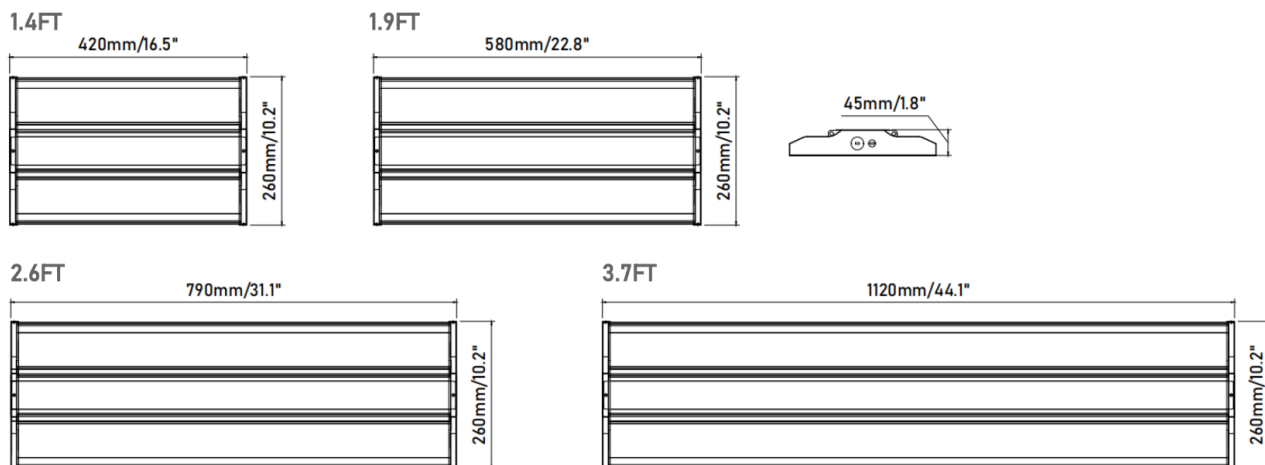
SENSOR READY JLS-LHB LINEAR HIGHBAY

JAYKAL

SPECIFICATIONS TABLE

MODELS	JLS-LHB					
LENGTH	1.4FT		1.9FT		2.6FT	3.7FT
TYPE	M1	M2	M1	M2	M1	M1
WATTAGE	78W/92W/115W	100W/115W/135W	135W/155W/185W	155W/185W/200W	200W/230W/270W	270W/330W/400W
INPUT VOLTAGE	120-277VAC 50/60hz					
EFFICACY	150 lm/W					
LUMEN	11,700/13,800/17,250	17,250/20,250/23,250	20,250/23,250/27,750	23,250/27,750/30,000	30,000/34,500/40,500	40,500/51,000/60,000
POWER FACTOR	>0.9					
THD	<20%					
DRIVER	Driver includes dimming control wiring for 0-10V dimming systems. The dim-to-off voltage threshold of optional 12V AUX integrated driver ranges from 0.1V to 0.5V.					
SURGE	L-N: 6kV; L/N-GND: 6kV					
PROTECTION	Over Temperature Protection					
L70 HOURS	>100,000 Hours					
CRI	>80					
CCT	4000K / 5000K Dual CCT Selectable					
OP. TEMP.	-20°C (-4°F) - 50°C (122°F) When fixture is suspended at least 18" from the ceiling.					
LENS	90°					
HOUSING	Sheet Metal Stamping, Polycarbonate Optical Glare Control Lens					
ENVIRONMENT	Damp Locations					

DIMENSIONS (Unit : mm/Inch)



Specifications are typical values and may change without notification

efficiency. illuminated.



SENSOR READY JLS-LHB LINEAR HIGHBAY

JAYKAL

Ordering Guide TAA IS NOT AVAILABLE FOR THIS PRODUCT

MODEL	SIZE	WATTAGE	CCT
JLS-LHB	14 = 1.4FT	M1 = 78W/92W/115W M2 = 100W/115W/135W	DCCT = 4000K/5000K
	19 = 1.9FT	M1 = 155W/185W/200W	
	26 = 2.6FT	M1 = 200W/230W/270W	
	37 = 3.7FT	M1 = 270W/340W/400W	

ACCESSORIES	
JLS-LHB-HCM	V Hooks & Chain Suspension Mounting Kit (Figure 1)
JLS-LHB-CSM	Cable Suspension Mount Kit (Figure 2)
JLS-LHB-PHB	Pendant Hanger Installation Box (Figure 3)
JLS-LHB-SMK	Surface Mount Kit (Figure 4)
JLS-LHB-WG	Wire Guard (Figure 5)

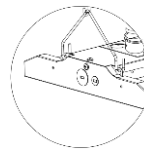


Figure 1

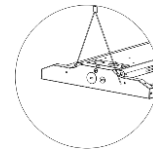


Figure 2

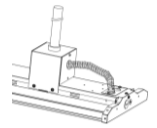


Figure 3

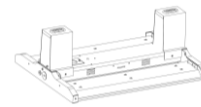


Figure 4



Figure 5

Specifications are typical values and may change without notification

efficiency. illuminated.