



SENSOR READY FLAT PANEL

JAYKAL

PROJECT NAME:

JAYKAL LED SOLUTIONS, INC.

www.jaykal.net

21499 Baltimore Ave.

Georgetown, DE 19947

(P) 302-295-0015

(F) 302-295-0016

PROJECT NOTES:

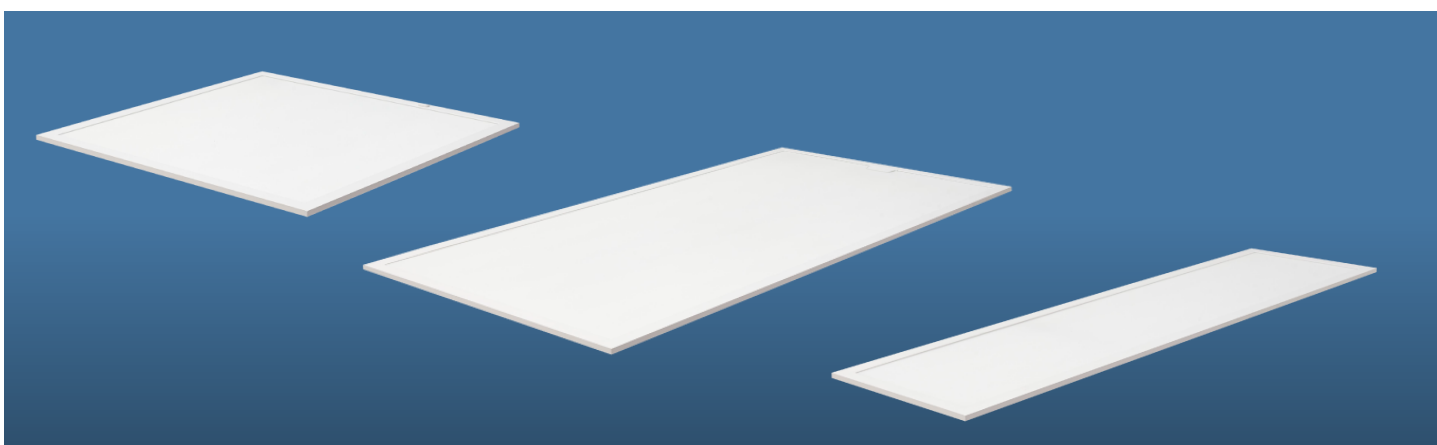
PRODUCT DESCRIPTION

Jaykal's new sensor ready design enables accessory sensors to be installed by simply plugging in the sensor. If no controls are needed now, they may be added later, with a simple plugin installation. The fixture is suitable for commercial and retail applications.

Wattage and color selectability is standard, allowing field tuning to meet changing project requirements. It featuring three wattage presets and three color presets and is DLC listed.

FEATURES

- Wattage Selectable: From 20W to 60W
- CCT Selectable: 3500K/4000K/5000K
- Flicker Free ($\leq 10\%$)
- 0-10V Dimming Standard
- Sensor Ready Design
- Optional Mounting Accessories
- EM Ready



RoHS 
Compliant



Revised 7/11/24

Specifications are typical values and may change without notification

efficiency. illuminated.



SENSOR READY FLAT PANEL

JAYKAL

SPECIFICATIONS TABLE

MODELS	JLS-G2PNL-T						
INPUT VOLTAGE	120-277VAC 50/60hz						
SIZE	1X4		2X2		2X4		
WATTAGE TYPE	M1	M2	M1	M2	M1	M2	M3
WATTAGE	20W/25W/30W	25W/30W/40W	20W/25W/30W	25W/30W/40W	30W/35W/40W	30W/40W/50W	40W/50W/60W
EFFICACY	125lm/W						
LUMENS	2,500/3,150/3,750	3,150/3,750/5,000	2,500/3,150/3,750	3,150/3,750/5,000	3,750/4,375/5,000	3,750/5,000/6,250	5,000/6,250/7,500
L70 HOURS	100,000 hrs. +						
POWER FACTOR	>0.9						
DRIVER	Driver includes dimming control wiring for 0-10V dimming systems. The dim-to-off voltage threshold of 12V AUX integrated driver ranges from 0.1V to 0.5V.						
THD	<20%						
CRI	>80						
FLICKER	Flicker Free ($\leq 10\%$)						
CCT	MCCT (3500K/4000K/5000K Selectable)						
OPERATIONAL TEMP.	-20°C (-4°F) to 50°C (122°F)						
LENS	Frosted Polystyrene						
HOUSING MATERIAL	Steel and Extruded Aluminum						
UL RATING	Suitable for damp locations. IC rated						

SENSOR READY

Quick and easy in-field installation of low voltage sensors.



- ← Receptacle Cover
- ← The sensor receptacle is pre-installed and ready for field installation of the sensor
- ← The sensor plugs into the receptacle and features a twist lock retaining system

Specifications are typical values and may change without notification

efficiency. illuminated.



SENSOR READY FLAT PANEL

JAYKAL

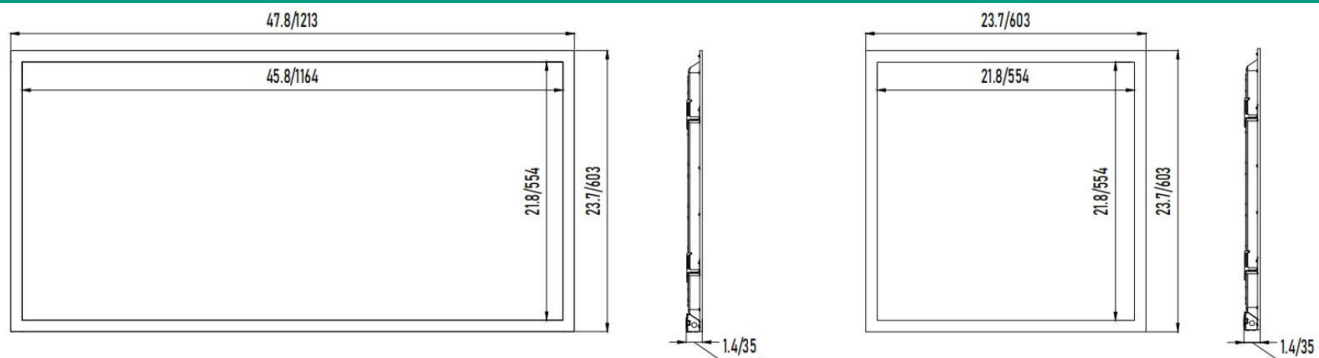
Ordering Guide TAA IS NOT AVAILABLE FOR THIS PRODUCT

MODEL	SIZE	WATTAGE	CCT
JLS-G2PNL-T	14 = 1X4	M1 = 20W/25W/30W	MCCT = 3500K/4000K/5000K
	22 = 2X2	M1 = 20W/25W/30W M2 = 25W/30W/40W	
	24 = 2X4	M1 = 30W/35W/40W M2 = 30W/40W/50W M3 = 40W/50W/60W	

EM BACKUP

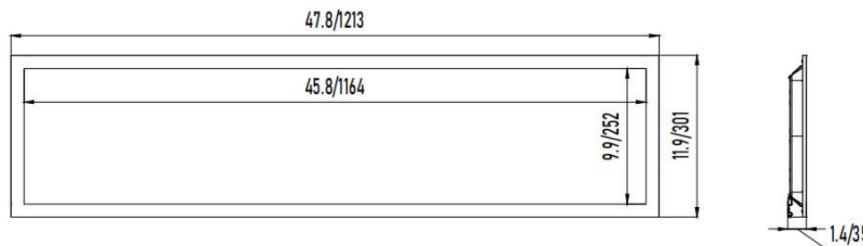
PICTURES	DESCRIPTION	MODEL NUMBER
	8W EM Backup	JLS6810D-G2EM-08170-HY
	18W EM Backup	JLS6810D-G2EM-18170-HY

DIMENSIONS (Units : Inch/mm)



2X4

2X2



1X4

Specifications are typical values and may change without notification

efficiency. illuminated.