



G4SB-A Slim LED Area Light / Street Light

JAYKAL

PROJECT NAME:

JAYKAL LED SOLUTIONS, INC.

www.jaykal.net

PROJECT NOTES:

21499 Baltimore Ave.

Georgetown, DE 19947

(P) 302-295-0015 (F) 302-295-0016

FEATURES

- ◆ Adjustable Wattage (3 settings)
- ◆ 0-10V Dimming
- ◆ Compatible with 0-10V Lighting Controls.
- ◆ IK08 Die-Cast Aluminum Housing with Tempered Glass Cover.
- ◆ Detachable Mounting Plate Fits Most Standard Junction Boxes or Can be Surface Mounted and Wired via Conduit Entries.
- ◆ G4SB-P (Premium) Version is available



RoHS 
Compliant

(P) 302-295-0015 | (E) sales@jaykal.net | (W) www.jaykal.net

Revised 11/14/23

Specifications are typical values and may change without notification

efficiency. illuminated.



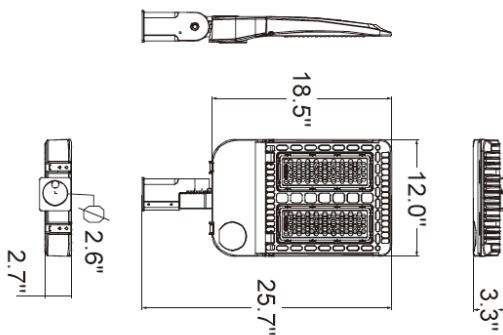
G4SB-A Slim LED Area Light / Street Light

JAYKAL

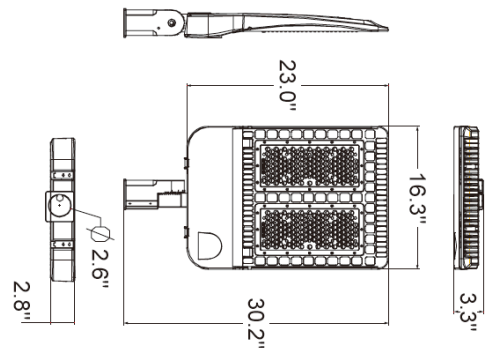
SPECIFICATIONS

MODEL	G4SB-A-100	G4SB-A-150	G4SB-A-200	G4SB-A-300	G4SB-A-400
WATTAGE	100W	150W	200W	300W	400W
INPUT VOLTAGE	100-277VAC / 120-347VAC / 200-480VAC				
EFFICACY	140LM/W				
LUMENS	14,000LM	21,000LM	28,000LM	42,000LM	56,000LM
POWER FACTOR	0.90				
THD	>20%				
CRI	70/80				
L70 HOURS	161,000 Hours				
CCT	3000K/4000K/5000K/5700K				
OPERATIONAL TEMP.	-30°C to 45°C (-22°F to 113°)				
HOUSING MATERIAL	Die-Cast Aluminum				
IP RATING	IP65				
IK RATING	IK08				
HOUSING FINISH	Bronze / Black / Sliver / White / Custom				
PROTECTION	Wet Location IP65				
B.U.G RATINGS	B3-U0-G1	B4-U0-G1	B3-U0-G3	B4-U0-G4	B5-U0-G4
EPA SQ/FT.	2.05	2.05	2.05	3.32	3.32
WEIGHT (lb.)	15.87	15.87	15.87	27.56	27.56
WARRANTY	5 Year Standard (10 Year Available)				

Dimension 1: (60W~200W)



Dimension 2: (300W~400W)



ORDERING GUIDE

EXAMPLE: JLS68103-G4SB-A-150-277-40K-B-T3-SP-PC

MODEL	WATTAGE	VOLTAGE	CCT	FINISH	LENS DISTRIBUTION	MOUNTING OPTIONS	Control
JLS68103-G4SB-A	100 = 100W 150 = 150W 200 = 200W 300 = 300W 400 = 400W	277 = 120-277VAC 347 = 120-347VAC 480 = 200-480VAC	30K = 3000K 40K = 4000K 50K = 5000K 57K = 5700K	BR = Bronze B = Black S = Sliver W = White C = Custom	T3 = Type III T4 = Type IV T5 = Type V	SF = Slip Fitter Mount SP = Square Pole Mount WM = Wall Mount RP = Round Pole Mount T = Trunnion Mount	PC = Photocell M = Motion Sensor

(P) 302-295-0015 | (E) sales@jaykal.net | (W) www.jaykal.net

Specifications are typical values and may change without notification

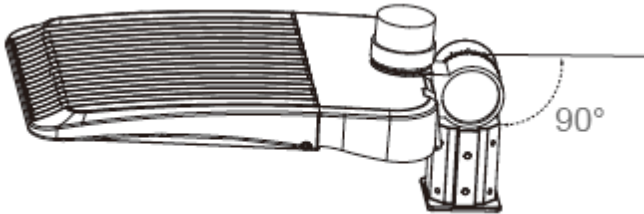
efficiency. illuminated.



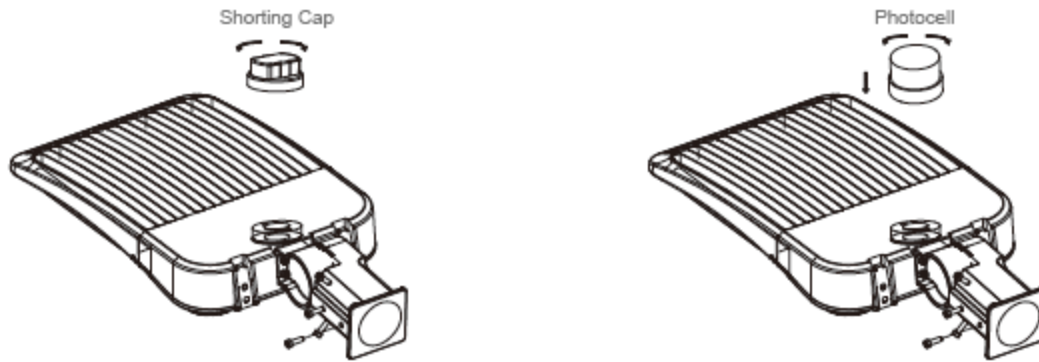
G4SB-A Slim LED Area Light / Street Light

JAYKAL

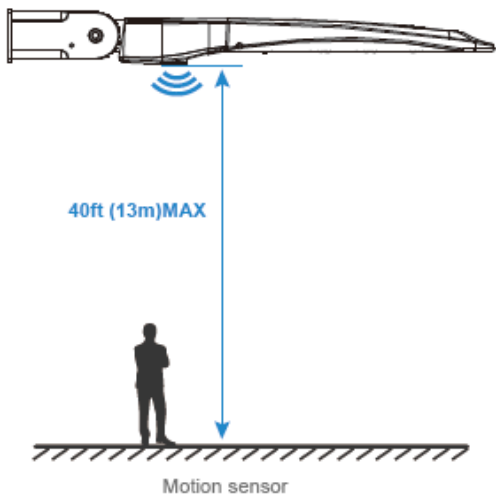
Bracket Angle 180° Adjustable



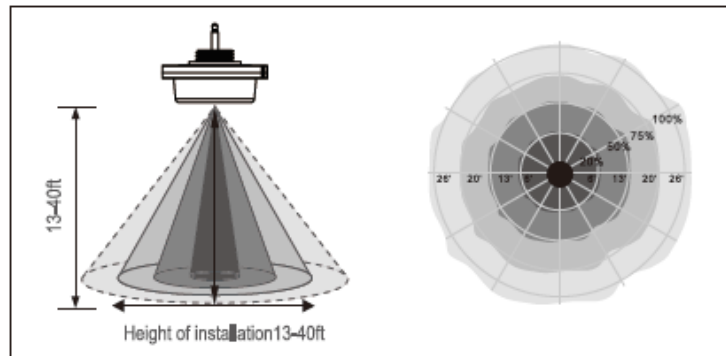
Twist Lock Photocell Sensor



Microwave Sensor Optional



SENSOR COVERAGE



(P) 302-295-0015 | (E) sales@jaykal.net | (W) www.jaykal.net

Specifications are typical values and may change without notification

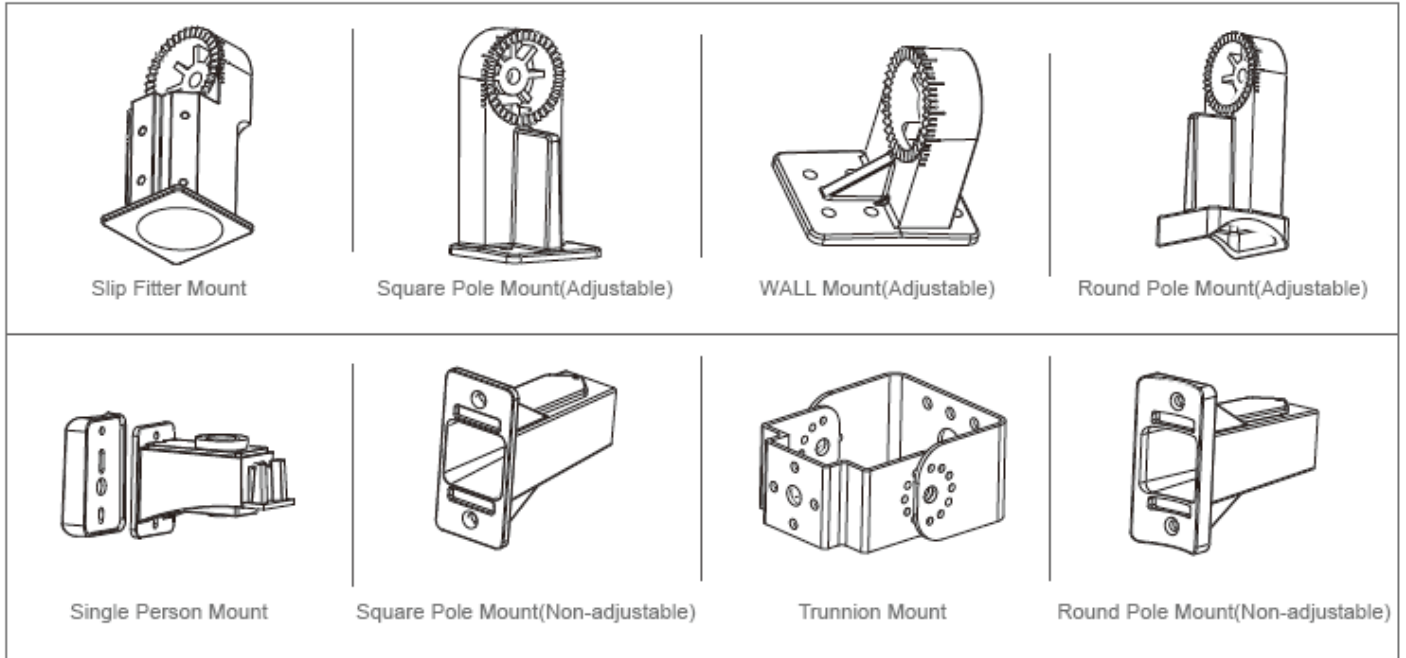
efficiency. illuminated.



G4SB-A Slim LED Area Light / Street Light

JAYKAL

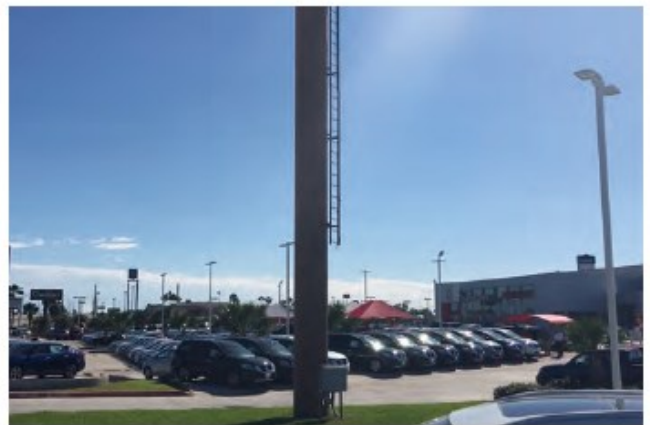
Compatible With Different Mount Brackets



Applications



Shopping Centers



Auto Dealership

(P) 302-295-0015 | (E) sales@jaykal.net | (W) www.jaykal.net

Specifications are typical values and may change without notification

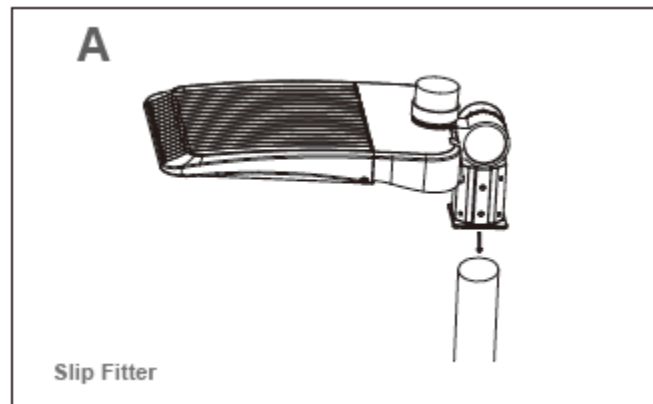
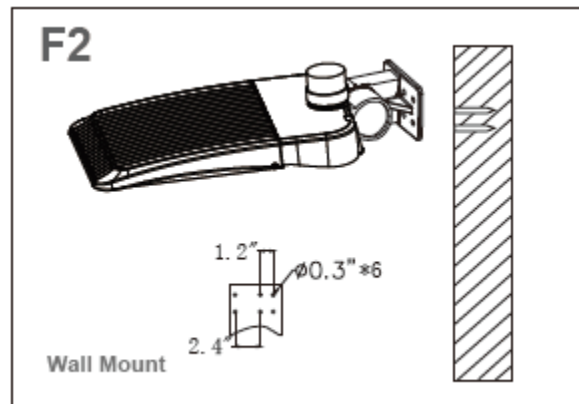
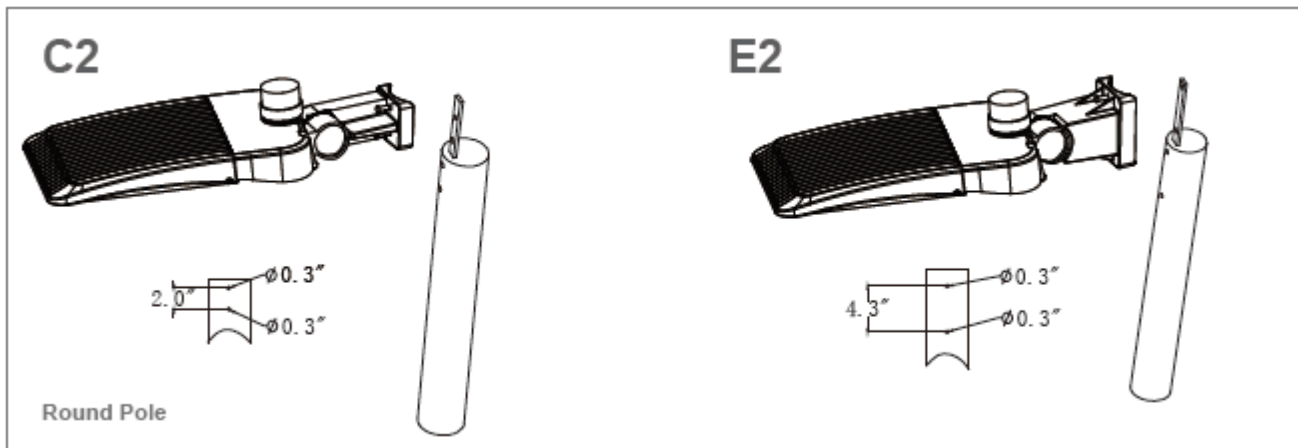
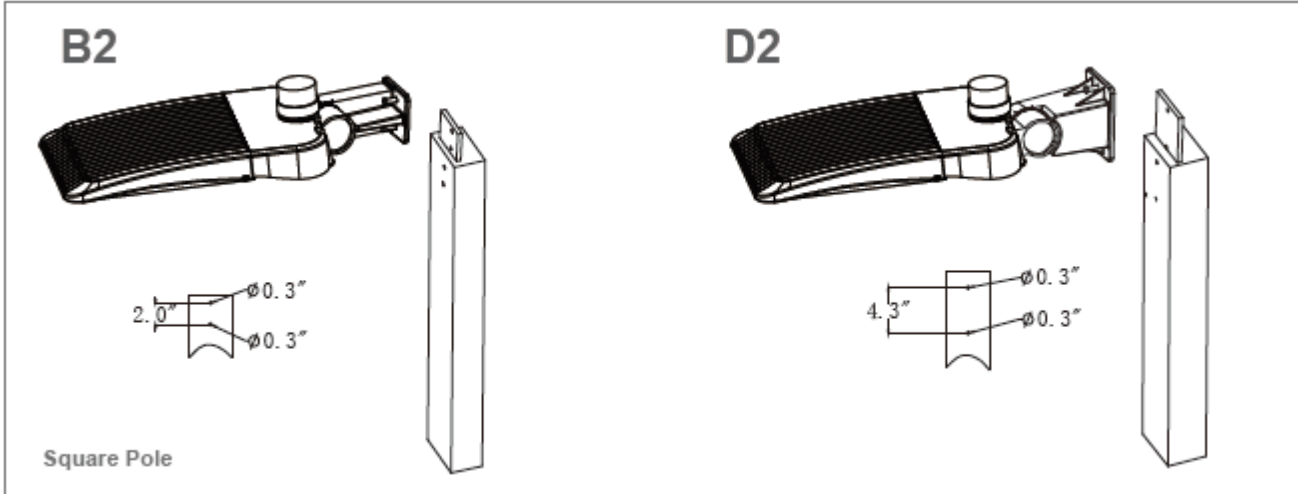
efficiency. illuminated.



G4SB-A Slim LED Area Light / Street Light

JAYKAL

Installation



(P) 302-295-0015 | (E) sales@jaykal.net | (W) www.jaykal.net

Specifications are typical values and may change without notification

efficiency. illuminated.



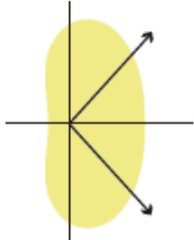
G4SB-A Slim LED Area Light / Street Light

JAYKAL

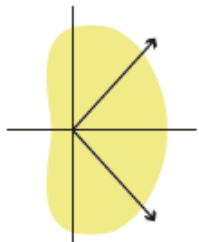
AVAILABLE OPTICAL PATTERNS

Type III ,Type IV ,Type V and flood lens optional

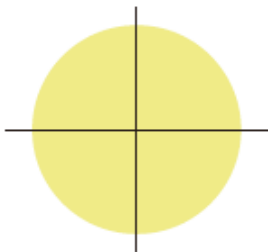
Lens Ordering Matrix



TYPE III



TYPE IV



TYPE V



Lens Distribution

T3

T3 = Type III (90 X 140 °)

T4 =Type IV (100° X 140°)

T5 = Type V (120 °)

Flood Light Lens contain a Type V lighting distribution;
typically used in applications with low mounting heights.

QTY: 2 for 60 W~ 200W

QTY: 2 for 300 W~ 400W

(P) 302-295-0015 | (E) sales@jaykal.net | (W) www.jaykal.net

Specifications are typical values and may change without notification

efficiency. illuminated.

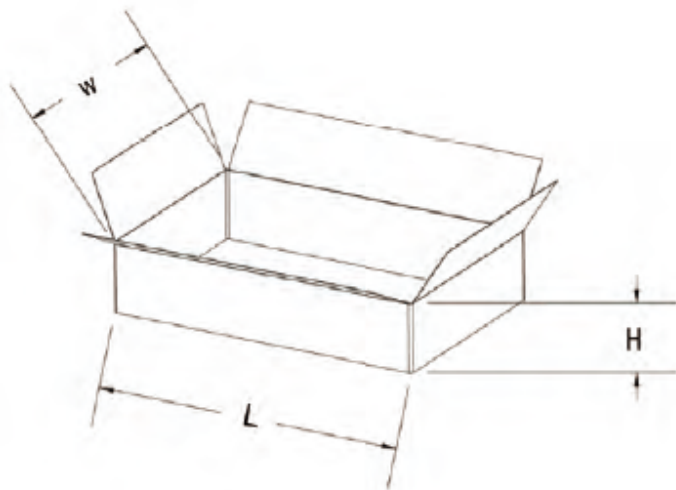
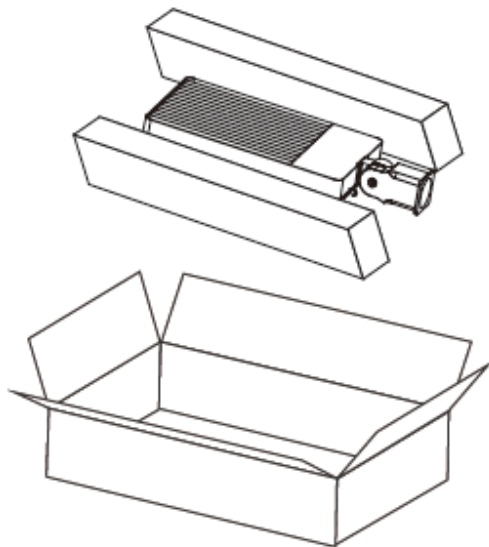


G4SB-A Slim LED Area Light / Street Light

JAYKAL

DIMENSIONS

Wattage	Product Size (mm/in)	Package Size (mm/in)	N.W (Kg/lb)	G.W (Kg/lb)	QTY
60W	653x305x84mm 25.7x12.0x3.3 in	700x410x160mm 27.56x16.14x6.30in	7.20Kg (15.87lb)	8.20Kg (18.08lb)	1PCS
80W	653x305x84mm 25.7x12.0x3.3 in	700x410x160mm 27.56x16.14x6.30in	7.40Kg (16.31lb)	8.40Kg (18.52lb)	1PCS
100W	653x305x84mm 25.7x12.0x3.3 in	700x410x160mm 27.56x16.14x6.30in	7.60Kg (16.76lb)	8.60Kg (18.96lb)	1PCS
150W	653x305x84mm 25.7x12.0x3.3 in	700x410x160mm 27.56x16.14x6.30in	7.60Kg (16.76lb)	8.60Kg (18.96lb)	1PCS
200W	653x305x84mm 25.7x12.0x3.3 in	700x410x160mm 27.56x16.14x6.30in	7.90Kg (17.42lb)	8.90Kg (19.62lb)	1PCS
300W	770x415x89mm 30.3x16.3x3.5 in	870x500x190mm 34.25x19.69x7.48in	11.6Kg (25.57lb)	13.0Kg (28.32lb)	1PCS
400W	770x415x89mm 30.3x16.3x3.5 in	870x500x190mm 34.25x19.69x7.48in	12.5Kg (27.56lb)	13.9Kg (30.64lb)	1PCS



(P) 302-295-0015 | (E) sales@jaykal.net | (W) www.jaykal.net

Specifications are typical values and may change without notification

efficiency. illuminated.