

G2 WRAP FIXTURE



JAYKAL

PROJECT NAME:

JAYKAL LED SOLUTIONS, INC.

www.jaykalusa.com

PROJECT NOTES:

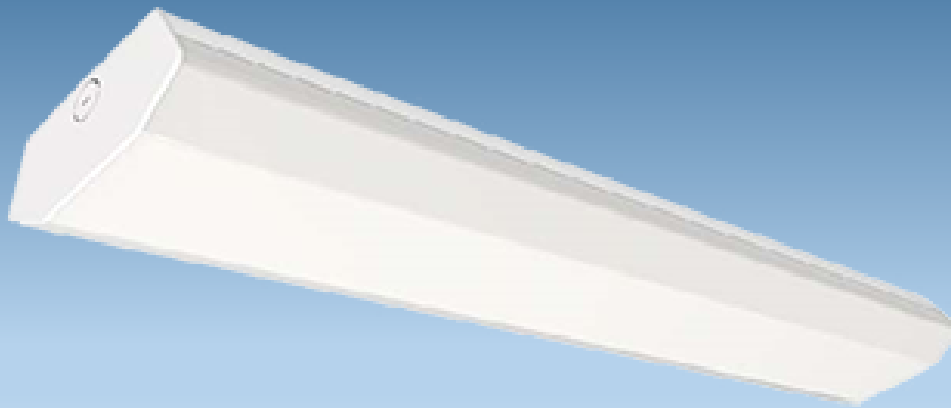
21499 Baltimore Ave.

Georgetown, DE 19947

(P) 302-295-0015 (F) 302-295-0016

FEATURES

- ◆ Wattage Options: Vari-Watt Driver Standard
- ◆ CCT Options: MCCT
- ◆ Lumen Package: 130lm/W
- ◆ 0-10V Dimming Standard
- ◆ Optional: OCBL Motion Sensor
- ◆ Optional Emergency Backup
- ◆ 5 Year Warranty, 10 Year Available



Revised 6/13/24

Specifications are typical values and may change without notification

efficiency. illuminated.

G2 WRAP FIXTURE



JAYKAL

SPECIFICATIONS TABLE			
DRIVER	M1	M2	M3
INPUT VOLTAGE	100-277VAC 50/60Hz		
LENGTH	2FT	4FT	4FT
WATTAGE	15W/20W/25W	20W/30W/40W	30W/40W/50W
EFFICACY	130lm/W		
LUMENS	1,950lm to 3,250lm	2,600lm to 5,200lm	3,900lm to 6,500lm
L70 HOURS	100,000 Hrs. +		
POWER FACTOR	>0.9		
THD	<20%		
CRI	>80		
CCT	MCCT(3500K/4000K/5000K adjustable)		
OPERATIONAL TEMP	-30°C - 50°C		
HOUSING MATERIAL	Steel		

PRODUCT	LENGTH (IN.)	WIDTH (IN.)	DEPTH (IN.)
JLS-G2WRAP-2FT	27.20	5.78	2.43
JLS-G2WRAP-4FT	48.22	5.78	2.43



Not all product variations listed on this page are DLC qualified. Visit www.designlights.org/search to confirm qualification.

Contact Jaykal for additional product approval.

Specifications are typical values and may change without notification

efficiency. illuminated.

G2 WRAP FIXTURE



JAYKAL

MOUNTING AND INSTALLATION

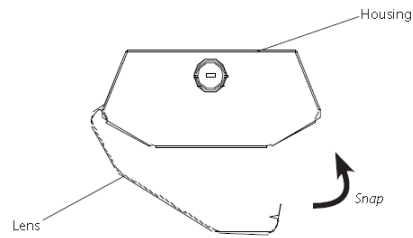
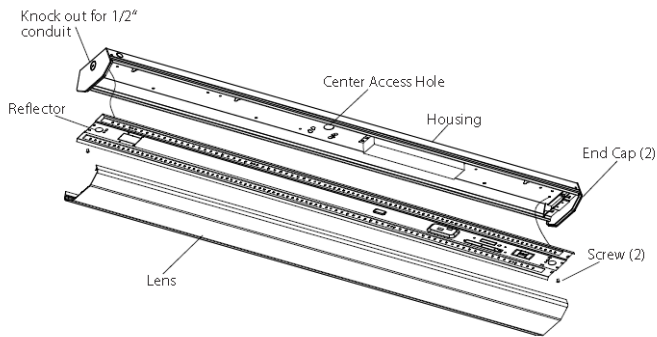
Surface Mounting is Standard

Optional with V-hook and Chain

Optional Cable Kit Available

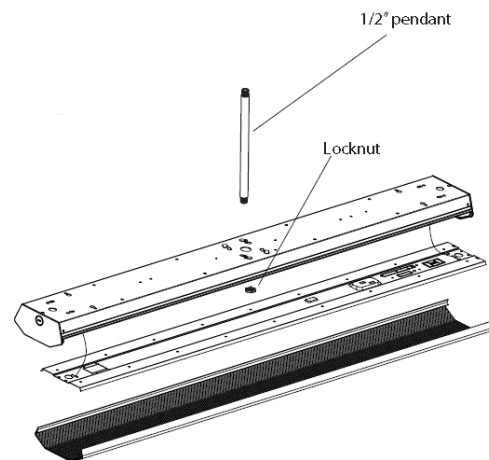
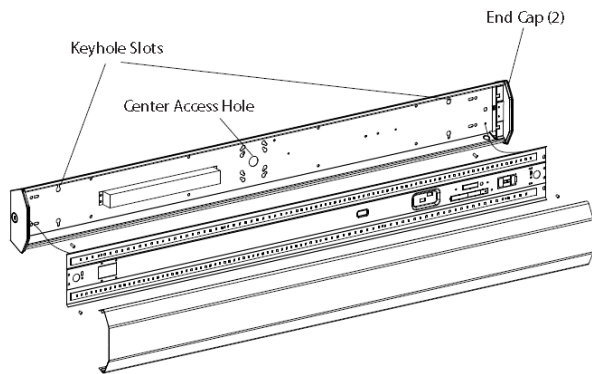
In installations where power surges may occur, we recommend installing additional surge protection at the fixture or electrical distribution panel.

Ceiling Mount

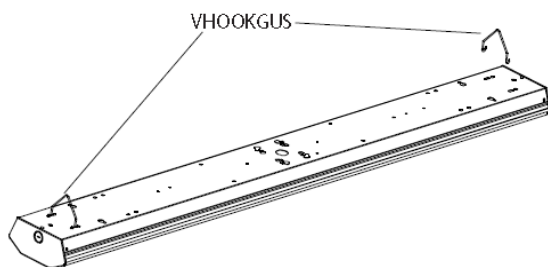


Pendant Mount

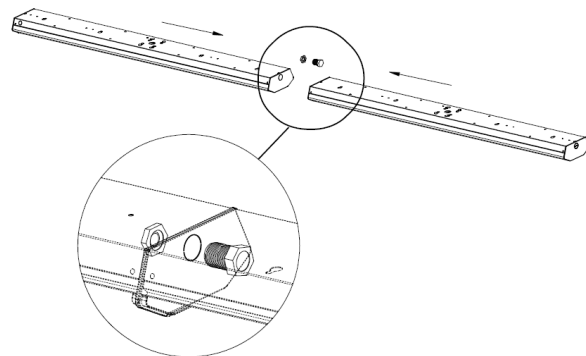
Surface Mount



V-Hook Mount



Tandem Mount



Specifications are typical values and may change without notification

efficiency. illuminated.

G2 WRAP FIXTURE



JAYKAL

ORDERING GUIDE

JLS-G2WRAP-4-M2-8MCCT-M-N

MODEL	-	LENGTH	-	WATTAGE	-	CCT	-	SENSOR	-	OPTION
JLS-G2WRAP		2 = 2ft. 4 = 4ft.		<u>Vari-Watt Driver (VW)</u> M1 = 15W/20W/25W * M2 = 20W/30W/40W ** M3 = 30W/40W/50W ** * Only 2ft available ** Only 4ft available		8MCCT = 3500K-4000K-5000K		N = No sensor M = Motion Sensor		N = No option EM = Emergency Back Up

Specifications are typical values and may change without notification

efficiency. illuminated.