

LINEAR HIGHBAY FIXTURE



JAYKAL

PROJECT NAME:

JAYKAL LED SOLUTIONS, INC.

www.jaykal.net

PROJECT NOTES:

26832 Lewes Georgetown Hwy,
Building 2, Unit E
Harbeson, DE 19951
(P) 302-295-0015
(F) 302-295-0016

DESCRIPTION:

This functional high efficiency Linear High Bay design is ideal for commercial and industrial applications in open work areas or as an aisle lighter. This was engineered for a quick and easy installation replacing existing traditional or Linear High Bay fixtures, and comes with multiple installation options including Aircraft Cable, Hanger Chain, Pendant Mount.

FEATURES & BENEFITS:

- ◆ Wattage Options: 60W, 80W, 100W, 120W, 150W, 200W, 300W, 400W
- ◆ CCT: 3000K, 4000K, 5000K
- ◆ Lumen Packages: 9,000lm, 12,000lm, 15,000lm, 18,000lm, 22,500lm, 30,000lm and 45,000lm, 60,000lm
- ◆ Up to 150+lm/W
- ◆ Options: Occupancy Sensor-Bi-level Dimming, On-Off Occupancy Sensing and Emergency Backup
- ◆ 100—277VAC
- ◆ Finish: Matt White. Other options available.
- ◆ 5 Year Warranty
- ◆ Near Zero Maintenance



5 YEAR STANDARD WARRANTY—EXTENDED WARRANTIES AVAILABLE

(P) 302-295-0015 | (E) sales@jaykal.net | (W) www.jaykal.net

Specifications are typical values and may change without notification

efficiency. illuminated.

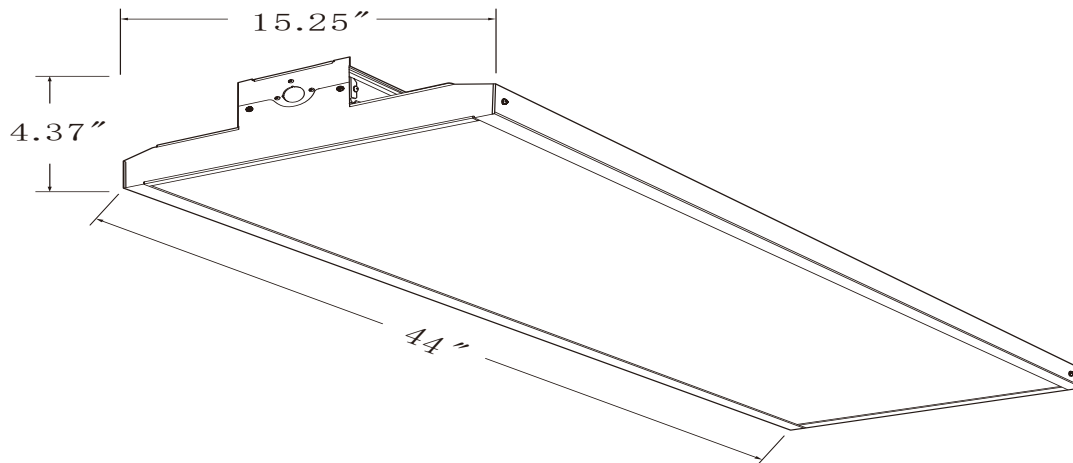
LINEAR HIGHBAY FIXTURE



JAYKAL

SPECIFICATIONS TABLE

Model.	60W	80W	100W	120W	150W	200W	300W	400W
Input Voltage	100-277VAC 50/60hz							
Wattage	60W	80W	100W	120W	150W	200W	300W	400W
Efficacy	150lm/W	150lm/W	150lm/W	150lm/W	150lm/W	150lm/W	150lm/W	150lm/W
Lumens	9,000lm	12,000lm	15,000lm	18,000lm	22,500lm	30,000lm	45,000lm	60,000lm
Power Factor	>0.9							
THD	<15%							
CRI	> 80							
CCT	3000k / 3500k / 4000k / 5000k							
Operational Temp.	-30°C — 50°C							
Housing Material	Steel / Aluminum							



ORDERING GUIDE

MODEL NUMBER	WATTS	CCT	LENS	BEAM ANGLE	MOUNTING	OPTIONS	LENGTH
JLS68102-LHB-G	60 = 60W 80 = 80W 100 = 100W 120 = 120W 150 = 150W 200 = 200W 300 = 300W 400 = 400W	30K = 3000K 40K = 4000K 50K = 5000K	N = No Lens D = Partially Diffused C = Clear Lens WC = Wire Cage	A - Aisle O - Open Area	1 = Aircraft Cable 10' 2 = Aircraft Cable 20' P = Pendant Mount H = Hanger Chain 3'	Blank = No Option O = Occupancy Sensor EM = Emergency Backup OBD = Occupancy Bi-level Dimming * Please specify plug requirements if any.	4 = 4FT

(P) 302-295-0015 | (E) sales@jaykal.net | (W) www.jaykal.net

Specifications are typical values and may change without notification

efficiency. illuminated.