

# COMMERCIAL SPLIT DOWNLIGHTS



**JAYKAL**

PROJECT NAME:

**JAYKAL LED SOLUTIONS, INC.**

[www.jaykal.net](http://www.jaykal.net)

PROJECT NOTES:

26832 Lewes Georgetown Hwy,  
Building 2, Unit E  
Harbeson, DE 19951  
(P) 302-295-0015  
(F) 302-295-0016

## DESCRIPTION:

Jaykal's LED Commercial Split Downlight features a an innovative design that allows the junction box to be separated from the main housing for exceptional flexibility. Installation is trouble free with the adjustable spring-action housing clips. Designed and engineered for new construction or retrofit applications. The luminaire is suitable for shopping malls, hospital, airport, hotel lobby etc.

## FEATURES & BENEFITS:

- ◆ Wattages Available: 9W, 15W, 20W
- ◆ 100-277VAC 50/60Hz
- ◆ CCT: 3000K, 3500K, 4000K, 5000K
- ◆ Life (L70): 50,000+ Hours
- ◆ Unique Separable Design
- ◆ 5 Year Warranty



**RoHS**   
Compliant



(P) 302-295-0015 | (E) [sales@jaykal.net](mailto:sales@jaykal.net) | (W) [www.jaykal.net](http://www.jaykal.net)

*Specifications are typical values and may change without notification*

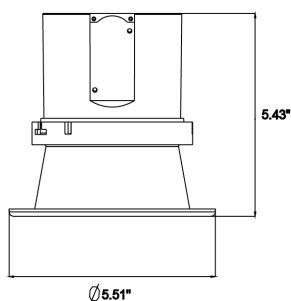
**efficiency. illuminated.**

# COMMERCIAL SPLIT DOWNLIGHTS

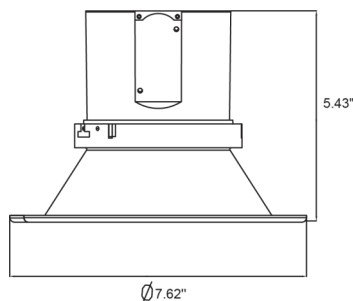


**JAYKAL**

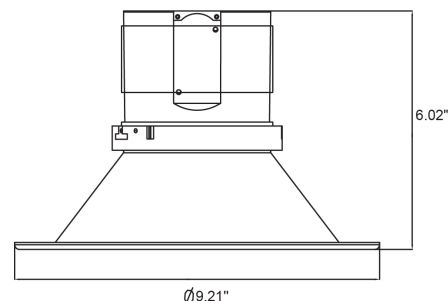
SPECIFICATIONS TABLE			
	JLS-CP*-9W	JLS-CP*-15W	JLS-CP*-20W
Wattage	9W	15W	20W
Input Voltage	100-277VAC 50/60 Hz		
Power Factor	>0.90		
THD	<20%		
Lumens	720lm	1275lm	1760lm
Efficacy	80lm/W	85lm/W	88lm/W
CRI	Ra>80		
CCT	3000K/3500/4000K/5000K		
Life (L70)	50,000+ Hours		
Protection	IP44		
Certifications	ES*/CE/FCC/RoHS/UL*		
Environment	Indoor and Damp Locations		
Operating Temperature	-20°C - 50°		
Dimming Style	0-10V		
Warranty	5 Years		
*Dimensions	4" / 6" / 8" Diameter		



4 Inch Can



6 Inch Can



8 Inch Can

## ORDERING GUIDE

MODEL NUMBER	- CCT
JLS-CP*-9W (*4, 6 or 8)	<b>30K</b> = 3000K
JLS-CP*-15W (*4, 6 or 8)	<b>35K</b> = 3500K
JLS-CP*-20W (*4, 6 or 8)	<b>40K</b> = 4000K
	<b>50K</b> = 5000K

(P) 302-295-0015 | (E) sales@jaykal.net | (W) www.jaykal.net

Specifications are typical values and may change without notification

efficiency. illuminated.