

8 INCH COMMERCIAL DOWNLIGHTS



JAYKAL

PROJECT NAME:

JAYKAL LED SOLUTIONS, INC.

www.jaykal.net

PROJECT NOTES:

26832 Lewes Georgetown Hwy,
Building 2, Unit E
Harbeson, DE 19951
(P) 302-295-0015
(F) 302-295-0016

DESCRIPTION:

Installation is trouble free with the adjustable spring-action housing clips. Designed and engineered for new construction or retrofit applications. The luminaire is suitable for shopping malls, hospital, airport, hotel lobby etc.

FEATURES & BENEFITS:

- ◆ Wattages Available: 18W, 27W, 40W, 54W
- ◆ 100-277VAC 50/60Hz
- ◆ CCT: 3000K, 4000K, 5000K
- ◆ Life (L70): 50,000+ Hours
- ◆ 0-10V Dimming Standard
- ◆ 5 Year Warranty



RoHS 
Compliant



(P) 302-295-0015 | (E) sales@jaykal.net | (W) www.jaykal.net

Specifications are typical values and may change without notification

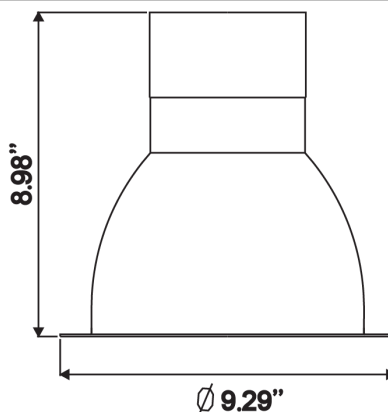
efficiency. illuminated.

8 INCH COMMERCIAL DOWNLIGHTS



JAYKAL

SPECIFICATIONS TABLE				
	JLS-CE8-18W	JLS-CE8-27W	JLS-CE8-40W	JLS-CE8-54W
Wattage	18W	27W	40W	54W
Input Voltage	100-277VAC 50/60 Hz			
Power Factor	>0.90			
THD	<20%			
Lumens (4000K)	1,678lm	2,471lm	3,571lm	4,500lm
Efficacy	94lm/W	94lm/W	90lm/W	87lm/W
CRI	Ra>80			
CCT	3000K/4000K/5000K			
Life (L70)	50,000+ Hours			
Protection	IP44			
Certifications	ES*/CE/FCC/RoHS/UL*			
Environment	Indoor and Damp Locations			
Operating Temperature	-20°C - 50°			
Dimming Style	0-10V			
Warranty	5 Years			



ORDERING GUIDE

MODEL NUMBER	- CCT
JLS-CE8-18W	30K = 3000K
JLS-CE8-27W	40K = 4000K
JLS-CE8-40W	50K = 5000K
JLS-CE8-54W	

(P) 302-295-0015 | (E) sales@jaykal.net | (W) www.jaykal.net

Specifications are typical values and may change without notification

efficiency. illuminated.