

# 10 INCH COMMERCIAL DOWNLIGHT



**JAYKAL**

PROJECT NAME:

**JAYKAL LED SOLUTIONS, INC.**

[www.jaykal.net](http://www.jaykal.net)

PROJECT NOTES:

26832 Lewes Georgetown Hwy,  
Building 2, Unit E  
Harbeson, DE 19951  
(P) 302-295-0015  
(F) 302-295-0016

## DESCRIPTION:

Installation is trouble free with the adjustable spring-action housing clips. Designed and engineered for new construction or retrofit applications. The luminaire is suitable for shopping malls, hospital, airport, hotel lobby etc.

## FEATURES & BENEFITS:

- ◆ Wattages Available: 27W, 40W, 54W
- ◆ 100-277VAC 50/60Hz
- ◆ CCT: 3000K, 4000K, 5000K
- ◆ Life (L70): 50,000+ Hours
- ◆ 0-10V Dimming Standard
- ◆ 5 Year Warranty



**RoHS**   
Compliant



(P) 302-295-0015 | (E) [sales@jaykal.net](mailto:sales@jaykal.net) | (W) [www.jaykal.net](http://www.jaykal.net)

*Specifications are typical values and may change without notification*

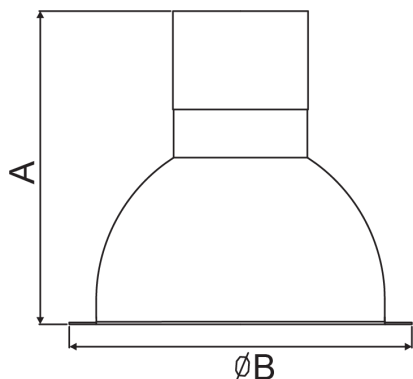
**efficiency. illuminated.**

# 10 INCH COMMERCIAL DOWNLIGHT



**JAYKAL**

SPECIFICATIONS TABLE			
	JLS-CE10-27W	JLS-CE10-40W	JLS-CE10-54W
Wattage	27W	40W	54W
Input Voltage	100-277VAC 50/60 Hz		
Power Factor	>0.90		
THD	<20%		
Lumens (4000K)	2,880lm	3,350lm	4,500lm
Efficacy	88lm/W	83lm/W	87lm/W
CRI	Ra>80		
CCT	3000K/4000K/5000K		
Life (L70)	50,000+ Hours		
Protection	IP44		
Certifications	ES*/CE/FCC/RoHS/UL*		
Environment	Indoor and Damp Locations		
Operating Temperature	-20°C - 50°		
Dimming Style	0-10V		
Warranty	5 Years		



MODEL	A	B
JLS-CE10-27W	9.25"	10.98"
JLS-CE10-40W	9.25"	10.98"
JLS-CE10-54W	10.00"	10.98"

## ORDERING GUIDE

MODEL NUMBER	- CCT
JLS-CE10-27W	<b>30K</b> = 3000K
JLS-CE10-40W	<b>40K</b> = 4000K
JLS-CE10-54W	<b>50K</b> = 5000K

(P) 302-295-0015 | (E) sales@jaykal.net | (W) www.jaykal.net

Specifications are typical values and may change without notification

**efficiency. illuminated.**