



STRIP RETROFIT KIT

JAYKAL

PROJECT NAME:

JAYKAL LED SOLUTIONS, INC.

www.jaykal.net

PROJECT NOTES:

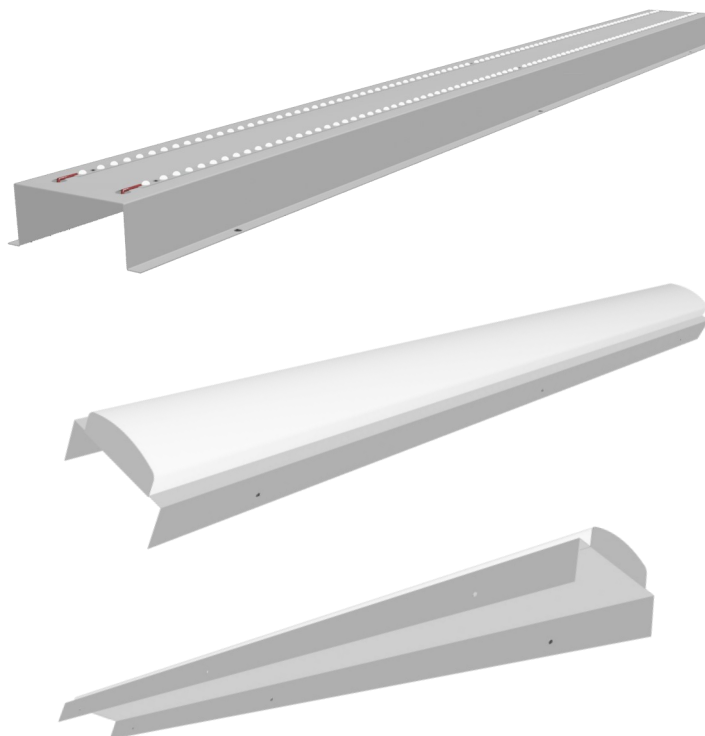
26832 Lewes Georgetown Hwy,
Building 2, Unit E
Harbeson, DE 19951
(P) 302-295-0015
(F) 302-295-0016

DESCRIPTION:

The simple design of the Strip Retrofit Kit provides maximum light distribution and is ideal for commercial and industrial strip fixtures. This was engineered for a quick and easy installation in an existing 4ft. or 8ft. strip fixtures. This strip kit solution is a one piece retrofit kit and is quick to install and provides for years of worry free energy efficient lighting.

FEATURES & BENEFITS:

- ◆ **5 Minute Install**
- ◆ 18W, 24W, 36W, 48W and 72W Options
- ◆ Fits 4ft. or 8ft. Strip Fixtures
- ◆ 3000K, 4000K, 5000K CCT available
- ◆ 125+lm/W
- ◆ 0-10V Dimming optional
- ◆ One piece retrofit kit
- ◆ 5 Year Warranty
- ◆ PC Cover Option



5 YEAR STANDARD WARRANTY—EXTENDED WARRANTIES AVAILABLE

(P) 302-295-0015 | (E) sales@jaykal.net | (W) www.jaykal.net

Specifications are typical values and may change without notification

efficiency. illuminated.



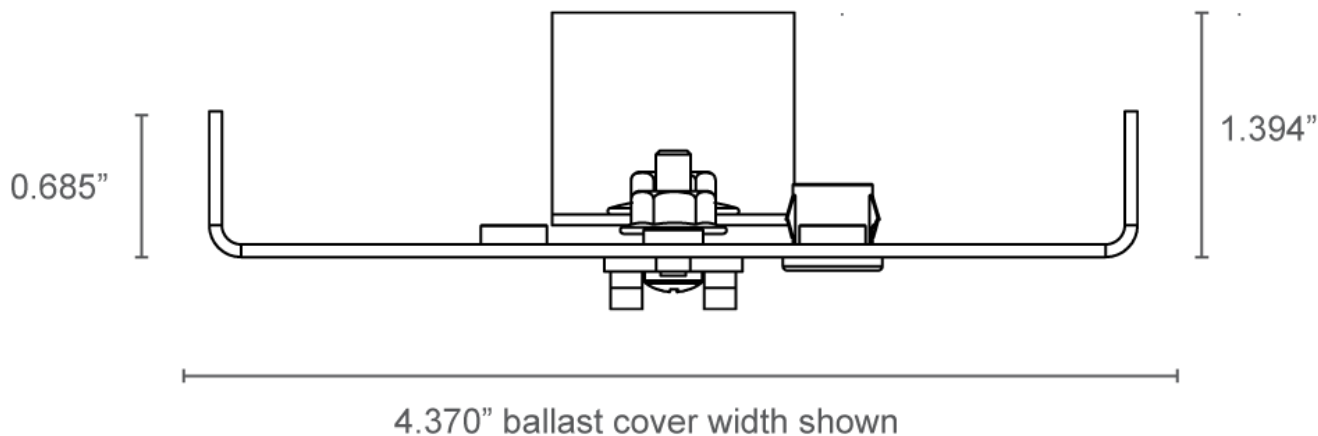
STRIP RETROFIT KIT

JAYKAL

SPECIFICATIONS TABLE

Model.	18W	24W	36W	48W	72W
Input Voltage	100-277VAC 50/60hz	100-277VAC 50/60hz	100-277VAC 50/60hz	100-277VAC 50/60hz	100-277VAC 50/60hz
Wattage	18W	24W	36W	48W	72W
Efficacy	125lm/W	125lm/W	125lm/W	125lm/W	125lm/W
Lumens	2,250lm	3,000lm	4,500lm	6,000lm	9,000lm
Power Factor	>0.9	>0.9	>0.9	>0.9	>0.9
THD	<15%	<15%	<15%	<15%	<15%
CRI	>80	>80	>80	>80	>80
CCT	3000K/4000K/5000K	3000K/4000K/5000K	3000K/4000K/5000K	3000K/4000K/5000K	3000K/4000K/5000K
Operational Temp.	-30°C — 50°C	-30°C — 50°C	-30°C — 50°C	-30°C — 50°C	-30°C — 50°C
Housing Material	Aluminum	Aluminum	Aluminum	Aluminum	Aluminum

1-Piece Kit



ORDERING GUIDE

MODEL NUMBER	WATTAGE	CCT	OPTIONS	DIMMING	CHANNEL WIDTH	HOUSING	LENGTH
JLS68102-STR	18 = 18W (3/4ft) 24 = 24W (4ft) 36 = 36W (4/8ft) 48 = 48W (4/8ft) 60 = 60W (4/8ft) 72 = 72W (8ft)	30K = 3000K 40K = 4000K 50K = 5000K	Blank = No Option OC = Occupancy Sensor EM = Emergency Backup PC = Polycarbonate Lens FL = Mounting Flange	N = No Dimming 10 = 0-10V WC = Wireless Control	S = Standard 4.25 Inches C = Custom Enter Dimension to the nearest 1/8th inch. Example: C4.75 = 4 3/4 Inches	Blank = None H = Housing	3 = 3FT. 4 = 4FT. 8 = 8FT.

(P) 302-295-0015 | (E) sales@jaykal.net | (W) www.jaykal.net

Specifications are typical values and may change without notification

efficiency. illuminated.