

70 WATT LED FULL CUTOFF WALL PACK



JAYKAL

PROJECT NAME:

JAYKAL LED SOLUTIONS, INC.

www.jaykal.net

PROJECT NOTES:

26832 Lewes Georgetown Hwy,
Building 2, Unit E
Harbeson, DE 19951
(P) 302-295-0015
(F) 302-295-0016

FEATURES & BENEFITS:

- ◆ Lumileds LEDs Offer High Luminous Efficiency and Long Life.
- ◆ High Efficiency LED Driver
- ◆ Available with 100-277VAC or 200-480VAC Input
- ◆ Cast Aluminum Construction Provides Superior Cooling Performance, LED Tj<85
- ◆ Excellent Optical Design Optimizes Light Utilization and Distribution.
- ◆ Photocell Control Available (Option)



PRODUCT APPLICATIONS

JAYKAL LED Wall Pack Lighting can be widely used in outdoor lighting locations. Ideal for wet locations requiring IP65 protection, they provide an excellent solution for applications such as security lighting, area lighting and landscape lighting.



RoHS
Compliant



BAA
Compliant

5 YEAR STANDARD WARRANTY—EXTENDED WARRANTIES AVAILABLE

(P) 302-295-0015 | (E) sales@jaykal.net | (W) www.jaykal.net

Specifications are typical values and may change without notification

efficiency. illuminated.

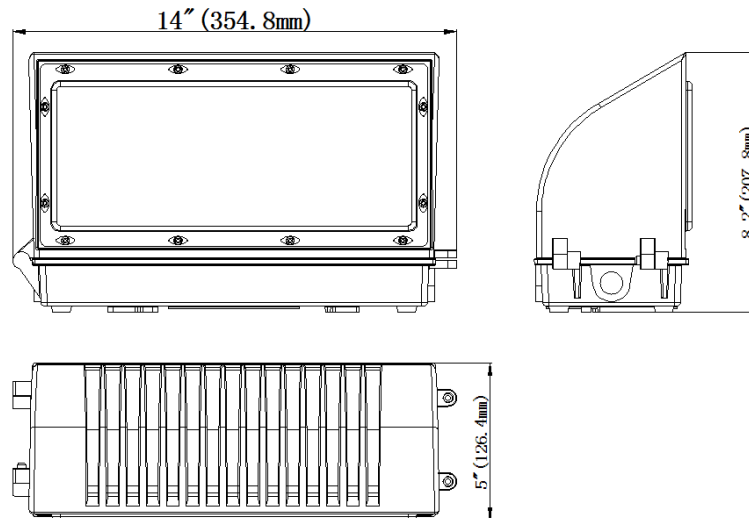
70 WATT LED FULL CUTOFF WALL PACK



JAYKAL

SPECIFICATIONS TABLE

| | | | | | |
|------------------|--------------------|--------------------|--|--------------------------|---------------|
| Watt | 70W | Lumens | 7,200 lm | Efficacy | 103 lm/W |
| Input Voltage | 100-277VAC 50/60hz | Power Factor | 0.95 | CRI | > 80 |
| THD | <14% | CCT | 3000K/4000K/5000K/6500K | | |
| Life (L70) | 50,000+ hours | Illumination Angle | 60°*90° | Operational Temperatures | -30° - +45°C |
| Housing Finish | Bronze / White | Lens Finish | Brown / Custom | Protection | IP65 |
| Housing Material | Aluminum Die-cast | Lens Material | Polycarbonate | Environment | Wet Locations |
| Weight | 6.61 lbs. / 3.0 kg | Dimensions | 14 x 8.2 x 5 in / 354.8 x 207.8 x 126.4 mm | | |
| UL File No | E360683 | Warranty | 5 Years | | |



ORDERING INFORMATION

EXAMPLE: JLS68103-G2FC-70-277-50K-D-PC

| MODEL NUMBER | - VOLTAGE | - CCT | - FINISH | - CONTROL |
|------------------|--|--|--|---|
| JLS68103-G2FC-70 | 277 = 120-277VAC 480 = 200-480VAC | 30K = 3000K 40K = 4000K 50K = 5000K 65K = 6500K | D = Dark Bronze W = White | PC = Photocell OC = Occupancy Sensor |

(P) 302-295-0015 | (E) sales@jaykal.net | (W) www.jaykal.net

Specifications are typical values and may change without notification

efficiency. illuminated.



PHOTOMETRY

Luminous Intensity Distribution

