

# 45 WATT LED FULL CUTOFF WALL PACK



**JAYKAL**

|                |  |
|----------------|--|
| PROJECT NAME:  | <b>JAYKAL LED SOLUTIONS, INC.</b><br><a href="http://www.jaykal.net">www.jaykal.net</a><br>26832 Lewes Georgetown Hwy,<br>Building 2, Unit E<br>Harbeson, DE 19951<br>(P) 302-295-0015<br>(F) 302-295-0016 |
| PROJECT NOTES: |  |

## FEATURES & BENEFITS:

- ◆ Lumileds LEDs Offer High Luminous Efficiency and Long Life.
- ◆ Lumen Package: 106 lm/W\*
- ◆ High Efficiency LED Driver
- ◆ Available with 100-277VAC or 200-480VAC Input
- ◆ Cast Aluminum Construction Provides Superior Cooling Performance, LED Tj<85
- ◆ Excellent Optical Design Optimizes Light Utilization and Distribution.
- ◆ Photocell Control Available (Option)

## PRODUCT APPLICATIONS

JAYKAL LED Wall Pack Lighting can be widely used in outdoor lighting locations. Ideal for wet locations requiring IP65 protection, they provide an excellent solution for applications such as security lighting, area lighting and landscape lighting.



\*Lumen Packages can be factory preset to the exact requirements needed for projects. Jaykal fixtures trim wasted energy consumption and maximize energy savings.

|  |  |  |  |  |
|--|--|--|--|--|
|  |  |  |  |  |
| 5 YEAR STANDARD WARRANTY—10 YEAR WARRANTY OPTION |  |  |  |  |

(P) 302-295-0015 | (E) sales@jaykal.net | (W) www.jaykal.net

Specifications are typical values and may change without notification

**efficiency. illuminated.**

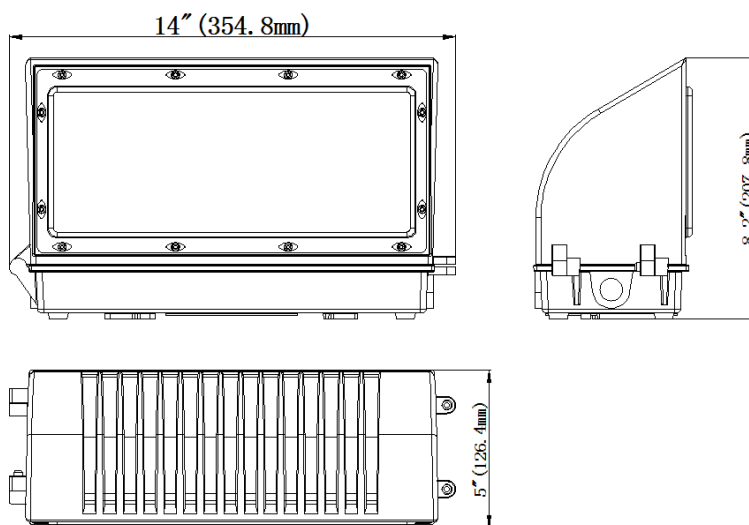
# 45 WATT LED FULL CUTOFF WALL PACK



**JAYKAL**

## SPECIFICATIONS TABLE

|                  |                    |                    |  |                          |               |
|------------------|--------------------|--------------------|--|--------------------------|---------------|
| Watt             | 45W                | Lumens             | 4,800 lm*                                  | Efficacy                 | 106 lm/W      |
| Input Voltage    | 100-277VAC 50/60hz | Power Factor       | 0.95                                       | CRI                      | > 80          |
| THD              | <14%               | CCT                | 3000K/4000K/5000K/6500K                    |                          |               |
| Life (L70)       | 50,000+ hours      | Illumination Angle | 60*90°                                     | Operational Temperatures | -30° - +45°C  |
| Housing Finish   | Bronze / White     | Lens Finish        | Brown / Custom                             | Protection               | IP65          |
| Housing Material | Aluminum Die-cast  | Lens Material      | Polycarbonate                              | Environment              | Wet Locations |
| Weight           | 6.40 lbs. / 2.9 kg | Dimensions         | 14 x 8.2 x 5 in / 354.8 x 207.8 x 126.4 mm |                          |               |
| UL File No       | E360683            | Warranty           | 5 Years                                    |                          |               |
| DLC              | 12/01/2016         |                    |  |                          |               |



## ORDERING INFORMATION

EXAMPLE: JLS68103-G2FC-45-277-50K-D-PC

| MODEL NUMBER     | - Voltage  | - Color Temp   | - Finish                                   | - Control   |
|------------------|--|--|--|---|
| JLS68103-G2FC-45 | <b>277</b> = AC120-277VAC<br><b>480</b> = AC200-480VAC | <b>30K</b> = 3000K<br><b>40K</b> = 4000K<br><b>50K</b> = 5000K<br><b>65K</b> = 6500K | <b>D</b> = Dark Bronze<br><b>W</b> = White | <b>PC</b> = Photocell<br><b>OC</b> = Occupancy Sensor |

(P) 302-295-0015 | (E) sales@jaykal.net | (W) www.jaykal.net

Specifications are typical values and may change without notification

efficiency. illuminated.



## PHOTOMETRY

### Luminous Intensity Distribution

