

45 WATT LED FORWARD THROW WALL PACK



JAYKAL

PROJECT NAME:

JAYKAL LED SOLUTIONS, INC.

www.jaykal.net

PROJECT NOTES:

26832 Lewes Georgetown Hwy,
Building 2, Unit E
Harbeson, DE 19951
(P) 302-295-0015
(F) 302-295-0016

FEATURES & BENEFITS:

- ◆ Lumileds LEDs Offer High Luminous Efficiency and Long Life.
- ◆ High Efficiency LED Driver
- ◆ Available with 100-277VAC or 200-480VAC Input
- ◆ Cast Aluminum Construction Provides Superior Cooling Performance, LED Tj<85
- ◆ Excellent Optical Design Optimizes Light Utilization and Distribution.
- ◆ Photocell Control Available (Option)



PRODUCT APPLICATIONS

JAYKAL LED Wall Pack Lighting can be widely used in outdoor lighting locations. Ideal for wet locations requiring IP65 protection, they provide an excellent solution for applications such as security lighting, area lighting and landscape lighting.



5 YEAR STANDARD WARRANTY—EXTENDED WARRANTIES AVAILABLE

(P) 302-295-0015 | (E) sales@jaykal.net | (W) www.jaykal.net

Specifications are typical values and may change without notification

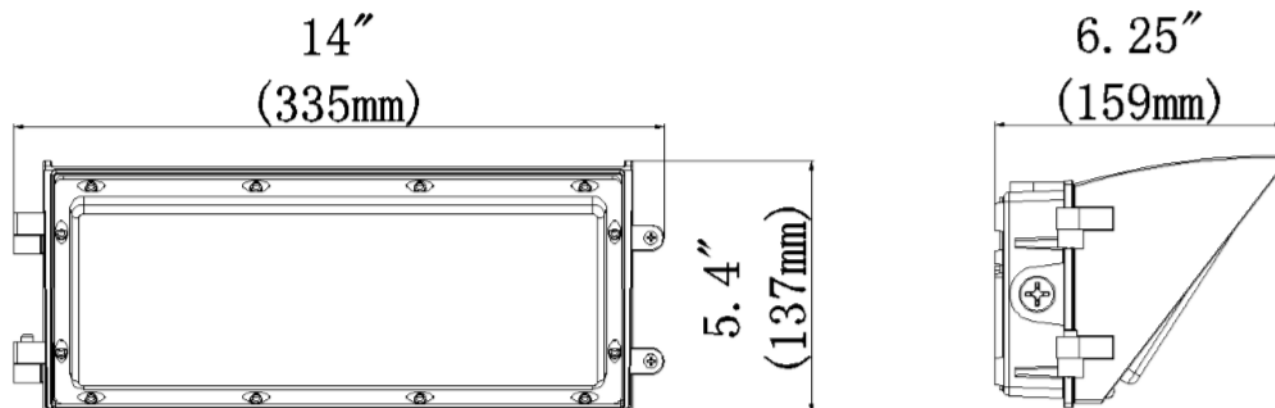
efficiency. illuminated.

45 WATT LED FORWARD THROW WALL PACK



JAYKAL

SPECIFICATIONS TABLE					
Watt	45W	Lumens	4,950 lm	Efficacy	110 lm/W
Input Voltage	100-277VAC 50/60hz	Power Factor	0.95	CRI	> 80
THD	<14%	CCT	3000K/4000K/5000K/6500K		
Life (L70)	50,000+ hours	Illumination Angle	60*90°	Operational Temperatures	-30° - +45°C
Housing Finish	Bronze / White	Lens Finish	Brown / Custom	Protection	IP65
Housing Material	Aluminum Die-cast	Lens Material	Polycarbonate	Environment	Wet Locations
Weight	6.61 lbs. / 3.0 kg	Dimensions	14 x 6.25 x 5.4 in / 335 x 159 x 137 mm		
UL File No	E360683	Warranty	5 Years		



ORDERING INFORMATION

EXAMPLE: JLS68103-G2FT-45-277-50K-D-PC

MODEL NUMBER	-	VOLTAGE	-	CCT	-	FINISH	-	CONTROL
JLS68103-G2FT-45		277 = AC120-277VAC 480 = AC200-480VAC		30K = 3000K 40K = 4000K 50K = 5000K 65K = 6500K		D = Dark Bronze W = White		PC = Photocell OC = Occupancy Sensor

(P) 302-295-0015 | (E) sales@jaykal.net | (W) www.jaykal.net

Specifications are typical values and may change without notification

efficiency. illuminated.



PHOTOMETRY

Luminous Intensity Distribution

