



LED Door Retrofit Kit Installation Instructions

These Instructions are applicable to Jaykal 1X4, 2x2, 2x4 Recessed Troffer Retrofit Kits

Contents

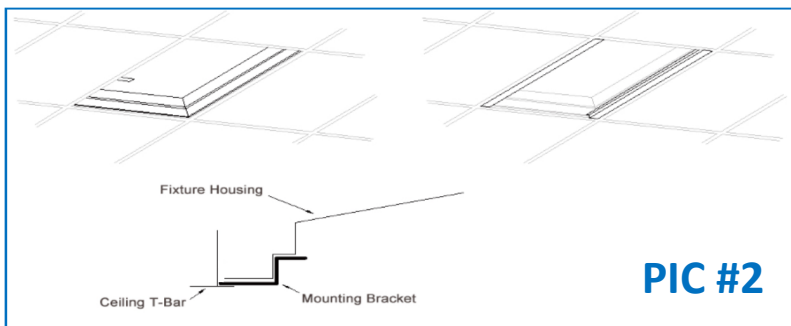
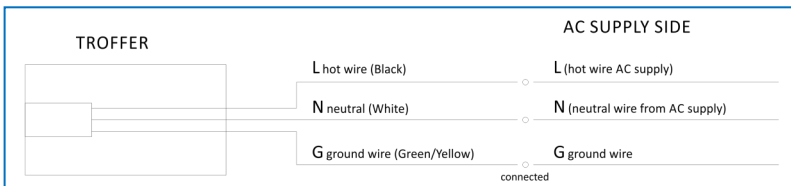
1-JLS68102-XX-TRF-XYZ Door Frame Kit

2-Side Mounting Brackets (See PIC #1)



PIC #1

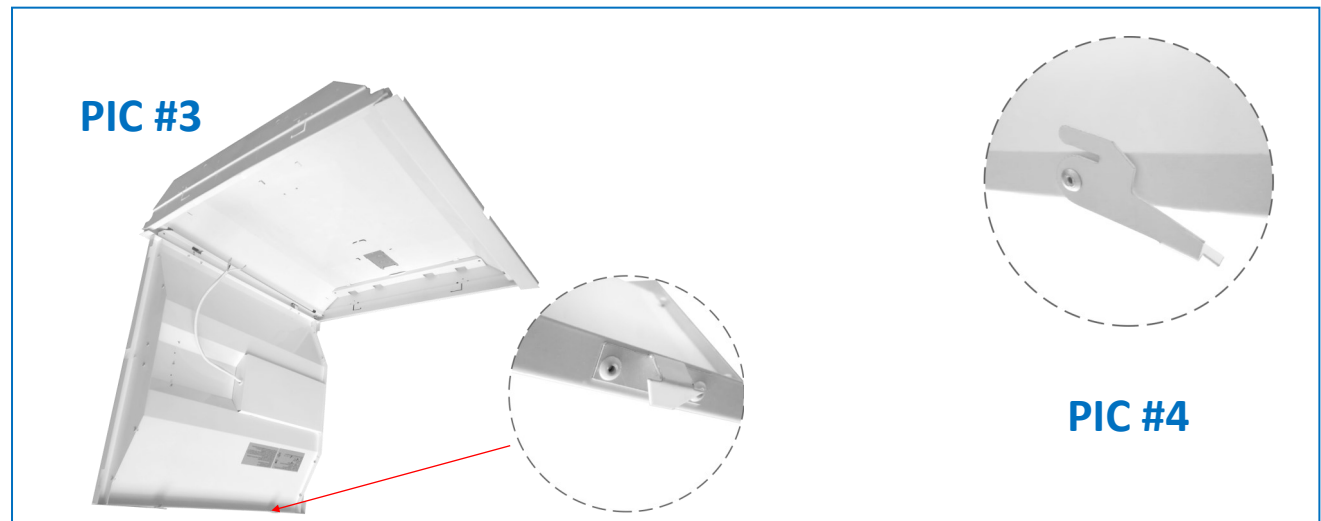
Wiring Diagram



PIC #2

Instructions

1. Disconnect the power circuit to the fixture.
2. Remove existing door frame and lamps. If clearance permits, leave ballast and socket bars inside the existing fixture. Otherwise, remove these parts as needed. Please dispose of lamps and ballasts properly.
3. Lift existing troffer housing and insert the hinge side mounting bracket between the troffer housing and the drop ceiling T-Bar and lower the troffer housing back into position. Repeat this operation for the latch side mounting bracket. (See Pic #2)
4. Hang the door kit onto the mounting bracket using the hinges (See Pic #3).
5. Connect power to the fixture (100-277VAC). (See Wiring Diagram)
6. Close the door kit and secure the latches. (See Pic #4)
7. Reconnect the power circuit to the fixture.



PIC #3

PIC #4



LED Door Retrofit Kit Accessory Install Instructions

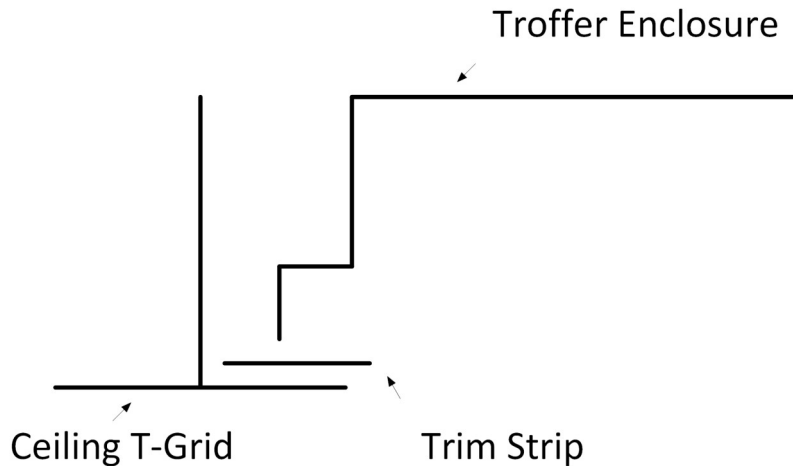
These Instructions are applicable to Jaykal 1X4, 2x2, 2x4 Recessed Troffer Retrofit Kits

Optional Accessories

Some enclosures may cause the troffer retrofit kit to form a small gap at one, or both ends of the troffer. Optional trim strips are available upon request to improve the cosmetics of the installation in the event this occurs.



GP-24 Trim



Positioning of Trim Strip Between Ceiling Grid and Troffer Enclosure

To install the trim strips, lift the troffer housing and insert the trim between the troffer housing and the drop ceiling T-Bar and lower the troffer housing back into position. In rare instances both ends of the troffer may be effected, please repeat this operation to install the trim on the opposite end of the troffer.



GP-24 Trim Pictured in Position