

2FT LINEAR HIGHBAY FIXTURE



JAYKAL

PROJECT NAME:

JAYKAL LED SOLUTIONS, INC.

www.jaykal.net

PROJECT NOTES:

26832 Lewes Georgetown Hwy,
Building 2, Unit E
Harbeson, DE 19951
(P) 302-295-0015
(F) 302-295-0016

DESCRIPTION:

This functional high efficiency Linear High Bay design is ideal for commercial and industrial applications in open work areas or as an aisle lighter. This was engineered for a quick and easy installation replacing existing traditional or Linear High Bay fixtures, and comes with multiple installation options including Aircraft Cable, Hanger Chain, Pendant Mount.

FEATURES & BENEFITS:

- ◆ Wattage Options: 60W, 80W, 100W, 120W, 150W
- ◆ CCT: 3000K, 4000K, 5000K
- ◆ Lumen Packages: 9,000lm, 12,000 m, 15,000lm, 18,000lm, and 22,500lm
- ◆ Up to 150+lm/W
- ◆ Options: Occupancy Sensor-Bi-level Dimming, On-Off Occupancy Sensing and Emergency Backup
- ◆ Input Voltage: 100-277VAC
- ◆ Finish: Matt White. Other options available.
- ◆ 5 Year Warranty



5 YEAR STANDARD WARRANTY—EXTENDED WARRANTIES AVAILABLE

(P) 302-295-0015 | (E) sales@jaykal.net | (W) www.jaykal.net

Specifications are typical values and may change without notification

efficiency. illuminated.

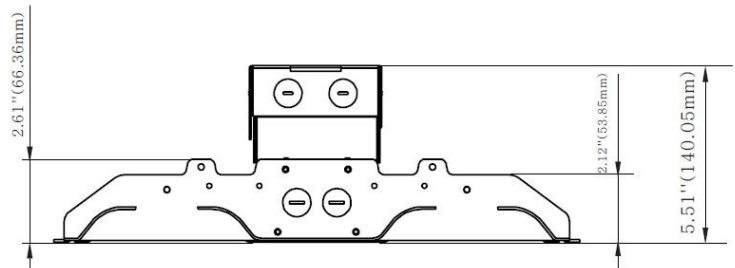
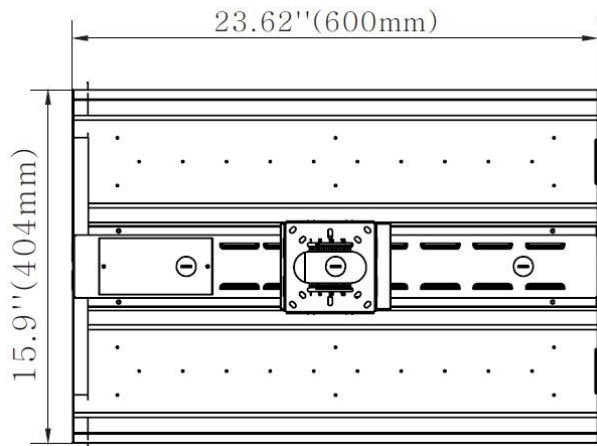
2FT LINEAR HIGHBAY FIXTURE



JAYKAL

SPECIFICATIONS TABLE

Model.	60W	80W	100W	120W	150W
Input Voltage	100-277VAC 50/60hz				
Wattage	60W	80W	100W	120W	150W
Efficacy	150lm/W	150lm/W	150lm/W	150lm/W	150lm/W
Lumens	9,000 m	12,000lm	15,000Lm	18,000lm	22,500lm
Power Factor	>0.9				
THD	<15%				
CRI	> 80				
CCT	3000k / 3500k / 4000k / 5000k				
Operational Temperatures	-30°C — 50°C				
Housing Material	Steel / Aluminum				



ORDERING GUIDE

MODEL NUMBER	WATTS	CCT	LENS	BEAM ANGLE	MOUNTING	OPTIONS	LENGTH
JLS68102-LHB-G	60 = 60W 80 = 80W 100 = 100W 120 = 120W 150 = 150W	30K = 3000K 40K = 4000K 50K = 5000K	N = No Lens D = Partially Diffused C = Clear Lens WC = Wire Cage	A - Aisle O - Open Area	1 = Aircraft Cable 10' 2 = Aircraft Cable 20' P = Pendant Mount H = Hanger Chain 3'	Blank = No Option O = Occupancy Sensor EM = Emergency Backup OBD = Occupancy Bi-level Dimming * Please specify plug requirements if any.	2 = 2FT

(P) 302-295-0015 | (E) sales@jaykal.net | (W) www.jaykal.net

Specifications are typical values and may change without notification

efficiency. illuminated.