



WRAP FIXTURE

JAYKAL

| | |
|----------------|--|
| PROJECT NAME: | JAYKAL LED SOLUTIONS, INC. www.jaykal.net 26832 Lewes Georgetown Hwy, Building 2, Unit E Harbeson, DE 19951 (P) 302-295-0015 (F) 302-295-0016 |
| PROJECT NOTES: | |

DESCRIPTION:

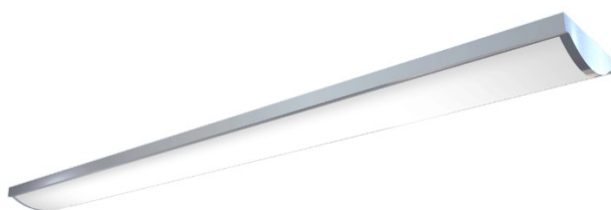
A cost effective LED lighting solution designed to deliver general ambient lighting for surface-mount ceiling applications in industrial applications. This model provides reliable color consistency and years of worry free life. This solution provides the look similar to that of an existing fluorescent fixture, but provide all of the great benefits of LED technology: energy-savings, long life, and maintenance savings. Three esthetic choices are offered, but all feature the same light engine.

FEATURES & BENEFITS:

- ◆ Wattage Options: 24, 40, 48, 80 Watt
- ◆ CCT Options: 3000K, 4000K, 5000K
- ◆ Lumen Package: 120 lm/W
- ◆ Options: 0-10V Dimming / Occupancy Sensor / Emergency Backup
- ◆ 5 Year Warranty
- ◆ Near Zero Maintenance



Standard Option



Architectural Option



Industrial Option



5 YEAR STANDARD WARRANTY—EXTENDED WARRANTIES AVAILABLE

(P) 302-295-0015 | (E) sales@jaykal.net | (W) www.jaykal.net

Specifications are typical values and may change without notification

efficiency. illuminated.

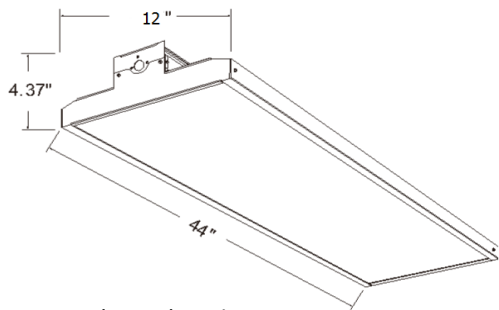
WRAP FIXTURE



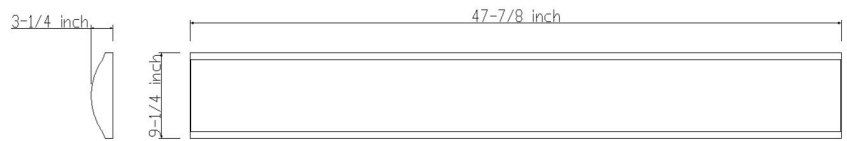
JAYKAL

SPECIFICATIONS TABLE

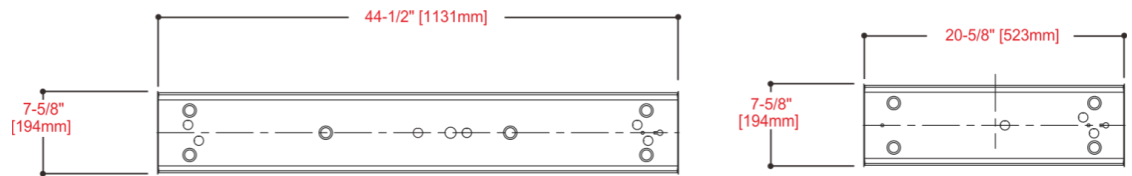
| Model. | 24W | 40W | 48W | 80W |
|--------------------------|--------------------|--------------------|--------------------|--------------------|
| Input Voltage | 100-277VAC 50/60hz | 100-277VAC 50/60hz | 100-277VAC 50/60hz | 100-277VAC 50/60hz |
| Wattage | 24W | 40W | 48W | 80W |
| Efficacy | 120 lm/W | 120 lm/W | 120 lm/W | 120 lm/W |
| Lumens | 2,880 lm | 4,800 lm | 5,760 | 9,600 |
| Power Factor | >0.9 | >0.9 | >0.9 | >0.9 |
| THD | <15% | <15% | <15% | <15% |
| CRI | >80 | >80 | >80 | >80 |
| CCT | 3000K/4000K/5000K | 3000K/4000K/5000K | 3000K/4000K/5000K | 3000K/4000K/5000K |
| Operational Temperatures | -30°C — 50°C | -30°C — 50°C | -30°C — 50°C | -30°C — 50°C |
| Housing Material | Aluminum | Aluminum | Aluminum | Aluminum |



Industrial Option



Architectural Option



Standard Option

ORDERING GUIDE

| MODEL NUMBER | WATTAGE | LENGTH | CCT | OPTIONS | HOUSING TYPE |
|---------------|--|--|--|---|--|
| JLS68102-WRAP | 24 = 24W 40 = 40W 48 = 48W 80 = 80W | 2 = 2ft. (24W) 4 = 4ft. (24W,40W) 8 = 8ft. (48W, 80W) | 30K = 3000K 40K = 4000K 50K = 5000K | Blank = No Option OC = Occupancy Sensor On/OFF OBD = Occupancy Sensor Bi-level Dimming EM = Emergency Backup | S = Standard A = Architectural I = Industrial |

(P) 302-295-0015 | (E) sales@jaykal.net | (W) www.jaykal.net

Specifications are typical values and may change without notification

efficiency. illuminated.