

Architectural Ceiling Light - C15 - F1



JAYKAL

PROJECT NAME:

JAYKAL LED SOLUTIONS, INC.

www.jaykal.net

PROJECT NOTES:

26832 Lewes Georgetown Hwy,
Building 2, Unit E
Harbeson, DE 19951
(P) 302-295-0015
(F) 302-295-0016

DESCRIPTION:

This LED Surface Mounted Luminaire is elegantly designed to compliment new or existing buildings, while delivering the dramatic energy savings of LED technology. This fixture is an ideal replacement for existing incandescent or CFL fixtures in hotels and apartment complexes.

FEATURES & BENEFITS:

- ◆ Wattage Option: 16W
- ◆ CCT: 3000K / 4000K / 5000K
- ◆ Frosted Glass
- ◆ Replaces up to 75W HID, 80W incandescent or up to 36W CFL
- ◆ 5 Year Warranty
- ◆ Finish: Brushed Nickel Standard, Bronze Available
- ◆ Near Zero Maintenance
- ◆ Uses up to 80% less energy



5 YEAR STANDARD WARRANTY—EXTENDED WARRANTIES AVAILABLE

(P) 302-295-0015 | (E) sales@jaykal.net | (W) www.jaykal.net

Specifications are typical values and may change without notification

efficiency. illuminated.

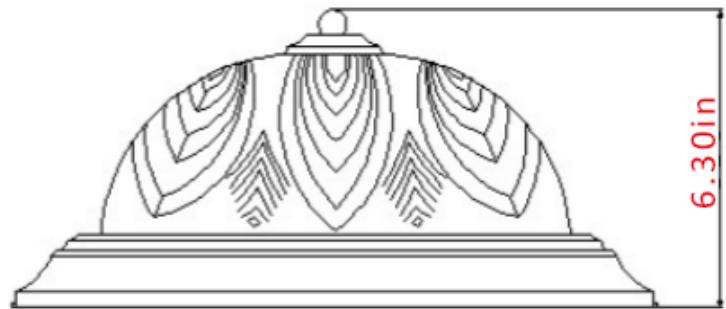
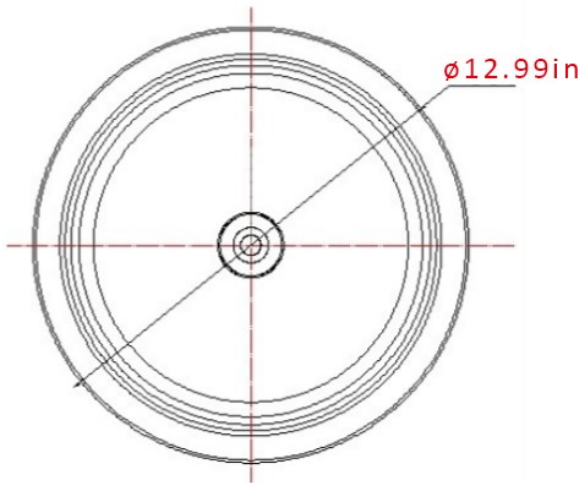
Architectural Ceiling Light - C15 - F1



JAYKAL

SPECIFICATIONS TABLE

| | | | | | |
|------------------|--------------------|--------------------|-------------------------------|--------------------------|----------------------|
| Watt | 16W | Lumens | 1280 lm | Efficacy | 80 lm/w |
| Input Voltage | 100-277VAC 50/60hz | Power Factor | 0.93 | CRI | > 80 |
| THD | < 15 % | CCT | 3000K / 4000K / 5000K | | |
| Life (L70) | 50,000+ hours | Illumination Angle | 120° | Operational Temperatures | -30°C — 60°C |
| Housing Finish | Brushed Nickel | Lens Finish | Frosted White | Protection | IP44 |
| Housing Material | Sheet Metal | Lens Material | Glass | Environment | Indoor/Dry Locations |
| Weight | 2.86 lbs. / 1.3 kg | Dimensions | 12.99 X 6.3 in / 330 X 160 mm | | |
| UL File No | E360683 | Warranty | 5 Years | | |



ORDERING GUIDE

| MODEL NUMBER | - FINISH | - CCT |
|-----------------|--|--|
| JLS68102-C15-F1 | N = Brushed Nickel B = Bronze | 30K = 3000K 35K = 3500K 40K = 4000K 50K = 5000K |

(P) 302-295-0015 | (E) sales@jaykal.net | (W) www.jaykal.net

Specifications are typical values and may change without notification

efficiency. illuminated.